

FEATURES

DES-F

Cold spotting table with built-in suction unit and stainless steel vacuum swinging arm.

- Featuring two cold spotting spray guns with independent circuits, two receptacles for liquids, hose support and swinging arm with suction and spotting shape out of stainless steel AISI 304.
- Board out of stainless steel AISI 304.
- Board dimensions: 800 x 260 x 175 mm.
- Electric connection: 230V I+N / 50-60 Hz.
- It needs compressed air : consumption 150 NI/min, air working pressure 6 bar.

DES-F GC

- Model with built-in air compressor
- Electric connection 230/400V III 50Hz.

MINI-DES

Compact cold spotting table with built-in suction unit

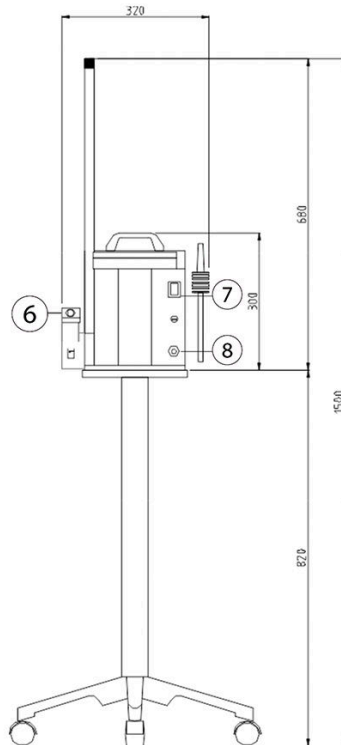
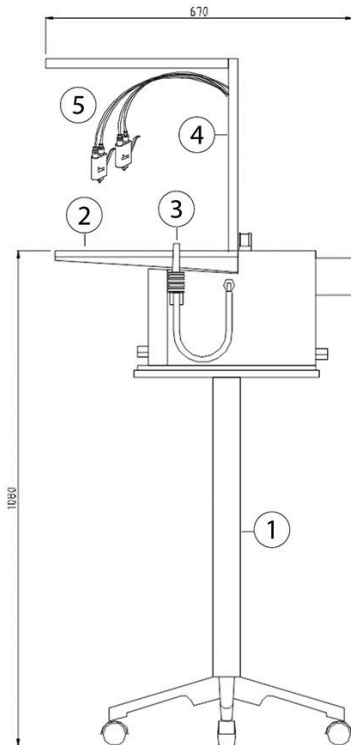
- Equipped with two cold spotting guns with independent circuit and two tanks for solvents.
- One working pedal.
- Stainless steel AISI 304 board (400 x 200 x 35 mm).
- Electric connection: 230V I+N / 50-60 Hz.
- It needs compressed air: consumption 30 NI/min, air working pressure 6-8 bar



OPTIONS

- Trolley for MINI-DES

GENERAL DETAILS	UNIT.	MINI-DES
Board dimensions	mm	400 x 200 x 35
Boiler	-	NO
Compressor	-	-
Steam gun	-	-
POWER		
Vacuum motor	HP	0,13
Compressor motor	kW	-
CONNECTIONS		
Ø Steam inlet	BSP	-
Ø Condensate outlet	BSP	-
Steam supply pressure	bar	-
Working steam pressure	bar	-
Steam consumption	kg/h	-
Ø Air inlet	BSP	1/4"
Ø Air outlet	mm	-
Air supply pressure	bar	-
Working air pressure	Kg/h	6-8
Air Consumption	NI/min	30
DIMENSIONS / PACKING DIMENSIONS		
Net width / Gross width	mm	670 / 650
Net depth / Gross depth	mm	320 / 330
Alto neto / Alto bruto (folded antenna)	mm	680-1.500 / 335
Net weight / Gross weight	Kg	13 / 16
Volume	m ³	0,14 / 0,15
OTHERS		
Voltage	V	230V 1~ 50-60
Sound level	dB	65



1. Trolley (option)
2. Plate board
3. Spotting gun
4. Antenna
5. Spotting gun
6. Liquid collection tank
7. Switch
8. Safety lock

