



R2D25-100

ø 250mm wall ironers



ELECTRONIC CONTROL

Simple and user friendly: digital screen, precise control of temperature
Preset ironing speeds, not adjustable



FEATURES

Large roll contact area with the linen
Automatic roll lifting control by foot photocell detection
Two available models:

- Standard: roll with cotton polyester coating
- Nomex: roll with Nomex coating



ROBUSTNESS

Nomex coating: resistant to high temperatures
Panels in grey skinplate and stainless steel
Wooden feeding board
New kinematics: better reliability
Industrial components: more durable



EFFICIENCY

Acoustic comfort : 55 dB
Minimum space requirement: space saving, suitable for small spaces
Ideal for processing small quantity of flat linen in facilities like restaurants, guest rooms, hostels, etc.



MAINTENANCE

Easy installation : requires only an electrical connection
Easy access on both sides for maintenance
Quick and easy dismantling of bearings



OTHERS

Front feeding and return
Roll ø 250 mm
Working widths: 1.400 and 2.000 mm
Electric heating
CE certification

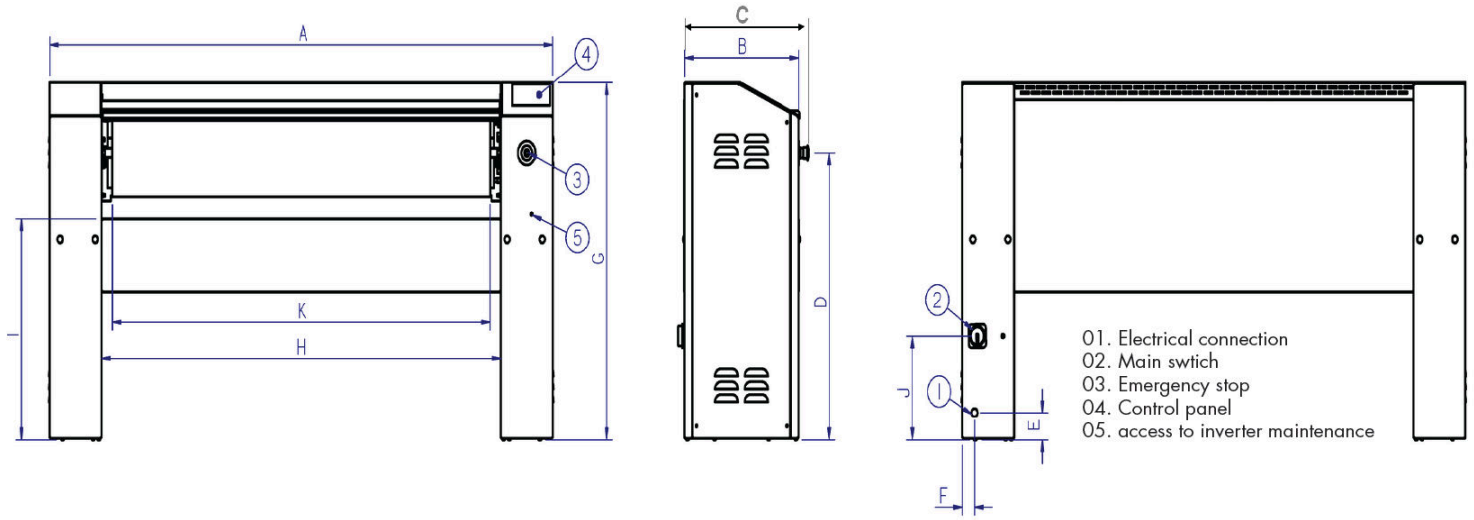


OPTIONS

- FP Pedal control instead of photocell R2D25 (except GOLD)
- 230V I + N 50Hz - ø 250 mm only (except 200 mm model)
- 400-230V +N+T 60Hz - ø 250 mm only
- 440V III 60Hz No neutral (marine) - ø 250 mm only

GENERAL DETAILS		UNIT.	R2D25-100
Theoretical production 20-25% humidity		Kg/h	25
		Lb/H	55,12
Roll Ø		mm	250
		Inch	9,84
Working width		mm	1.000
		Inch	39,37
Working speed		m/min	4,2
		ft/mn	13,77
	-	NO	
Electronic control	-		YES
	-	AUTO	
POWER			
Heating power		Kw	4,95
Roll motor power		Kw	0,18
Fan motor power		Kw	-
Total electric power		Kw	5,13
CONNEXIONS			
Tension 230V I + N + T		n° x mm² /A	3 x 6 / 25A
		n° x AWG/A	3 x 9 / 25A
Tension 230V III + T		n° x mm² /A	4 x 2,5 / 16A
		n° x AWG/A	4 x 13 / 16A
Tension 400V III + N + T		n° x mm² /A	5 x 2,5 / 10A
		n° x AWG/A	5 x 13 / 10A
DIMENSIONS / PACKING DIMENSIONS			
Net width / Gross width		mm	1.462 / 1.490
		Inch	58 / 59
Net depth / Gross depth		mm	484 / 540
		Inch	19 / 21
Net height / Gross height		mm	985 / 1.130
		Inch	39 / 44
Net weight / Gross weight		Kg	114 / 124
		Lb	251 / 273
Volume		m³	0,69 / 0,91
		fr3	24,37 / 32,14
OTHERS			
	NO	-	
	mm	-	
	Inch	-	
	m3/h	-	
	cfm	-	
Noise level		dB	55





	A	B	C	D	E	F	G	H	I	J	K
R2D25/100	1.462	423	484	791	75	45	985	1.079	610	287	998
R2D25/120	1.662	423	484	791	75	45	985	1.279	610	287	1.198
R2D25/140	1.862	423	484	791	75	45	985	1.479	610	287	1.398
R2D25/200	2.462	423	484	791	75	45	985	2.079	610	287	1.998

