



FEATURES

TWO MODELS:

UNIVERSAL BUCKS: P-UB

BUCKS FOR COLLAR AND CUFF: P-CPB

- Up steaming lower buck on both models.
- Lowering of the upper buck controlled by two push buttons.
- Available with or without built-in boiler.
- Available with or without built-in air compressor.
- All models equipped with a vacuum unit.
- ready to be connected to central steam and air supply.
- Air working pressure: 6-7 bar
- Steam working pressure: 4-5 bar
- Connection: 230/400V III 50-60Hz

UB MODEL

- Utility buck, up-steaming lower buck and upper buck, optional polished upper buck.
- Board dimensions : 1.170 x 360 x 220 mm

CPB MODEL

- Collar & Cuffs bucks, up-steaming lower buck.
- Polished upper buck.



OPTIONS

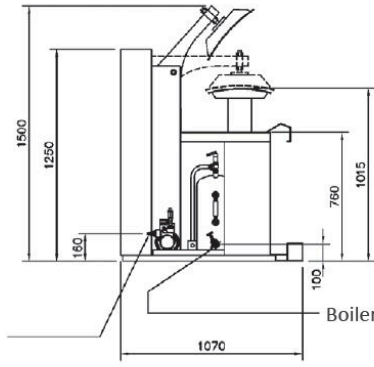
- Steam iron assembly
- Spray gun for steam

| GENERAL DETAILS | UNIT. | P-UB | |
|--|--------|-------------------|-------------------|
| | | AVEC CHAUDIERE | SANS CHAUDIERE |
| Board dimensions | mm | 1.170 x 360 x 220 | 1.170 x 360 x 220 |
| Boiler | - | 16 | - |
| Boiler capacity | l | Opt | Opt |
| Compressor | - | Opt | Opt |
| Group of Iron | - | Opt | Opt |
| Steam gun | - | Opt | Opt |
| Polished upper buck | - | Opt | Opt |
| POWER | | | |
| Vacuum Motor | HP | 0,6 | 0,6 |
| Pump Motor | HP | 0,75 | - |
| Boiler Heater | kW | 2 | - |
| Fan motor | kW | 12 | - |
| CONNECTIONS | | | |
| Ø Water inlet | BSP | 3/8" | - |
| Ø Boiler exhaust (mod. with boiler) | BSP | 1/2" | - |
| Ø Steam inlet | BSP | - | 1/2" |
| Ø Condensate outlet | BSP | - | 1/2" |
| Steam pressure | BAR | 4-5 | 4-5 |
| Steam Consumption | Kg/h | 12-20 | 12-20 |
| Ø Air inlet | BSP | - | 3/8" |
| Air pressure | BSP | 6-7 | 6-7 |
| Air Consumption | NI/min | 40 | 40 |
| OVERALL DIMENSIONS / PACKING DIMENSIONS | | | |
| Net width / Gross width | mm | 1.370 / 1.440 | 1.370 / 1.440 |
| Net depth / Gross depth | mm | 1.080 / 1.110 | 1.080 / 1.110 |
| Net height / Gross height | mm | 1.250 / 1.410 | 1.250 / 1.410 |
| Net weight / Gross weight | kg | 292 / 342 | 237 / 287 |
| Volume | m3 | 1,84 / 2,25 | 1,84 / 2,25 |
| OTHERS | | | |
| Voltage | Hz | 230/400V III | 230/400V III |
| Sound level | dB | 70 | 70 |

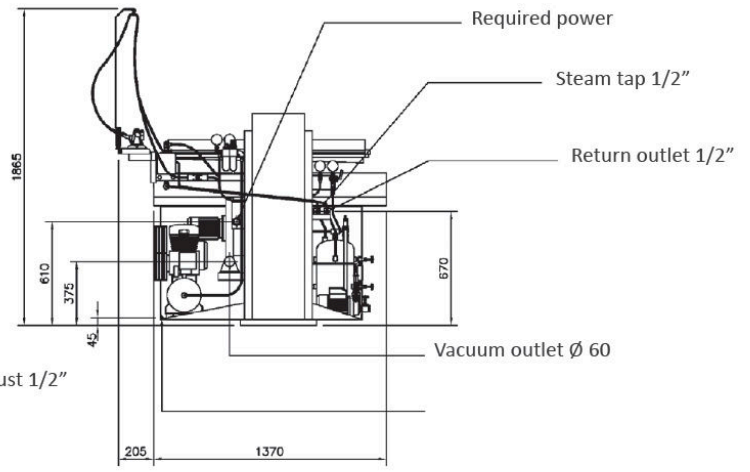


UB / CPB
WITH BOILER (self-contained)

Water inlet $\varnothing 12$

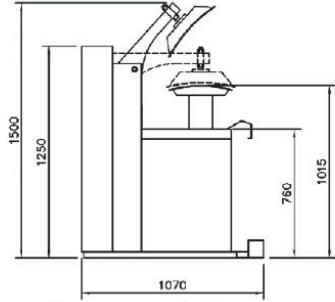


Boiler exhaust 1/2"



UB / CPB
WITHOUT BOILER

Connection to central vacuum supply $\varnothing 60$



Air inlet 3/8"

