



R2D18-100

Ø 180 mm wall ironers



ELECTRONIC CONTROL

Simple and user friendly : Start/stop button, selection of 4 temperatures
Preset ironing speeds, not adjustable



FEATURES

Large roll contact area with the linen
Roll lifting control by pedal
Two available models:

- Standard model: roll with cotton polyester coating
- Nomex Model: roll with Nomex coating



ROBUSTNESS

Nomex quality coating: resistant to high temperatures
Panels in grey skinplate and stainless steel
Wooden feeding board



EFFICIENCY

Acoustic comfort : <55 dB
Minimum space requirement: space saving, suitable for small spaces
Ideal for processing small quantity of flat linen in facilities like restaurants, guest rooms, hostels, etc.



MAINTENANCE

Easy installation : requires only an electrical connection
Easy access on both sides for maintenance

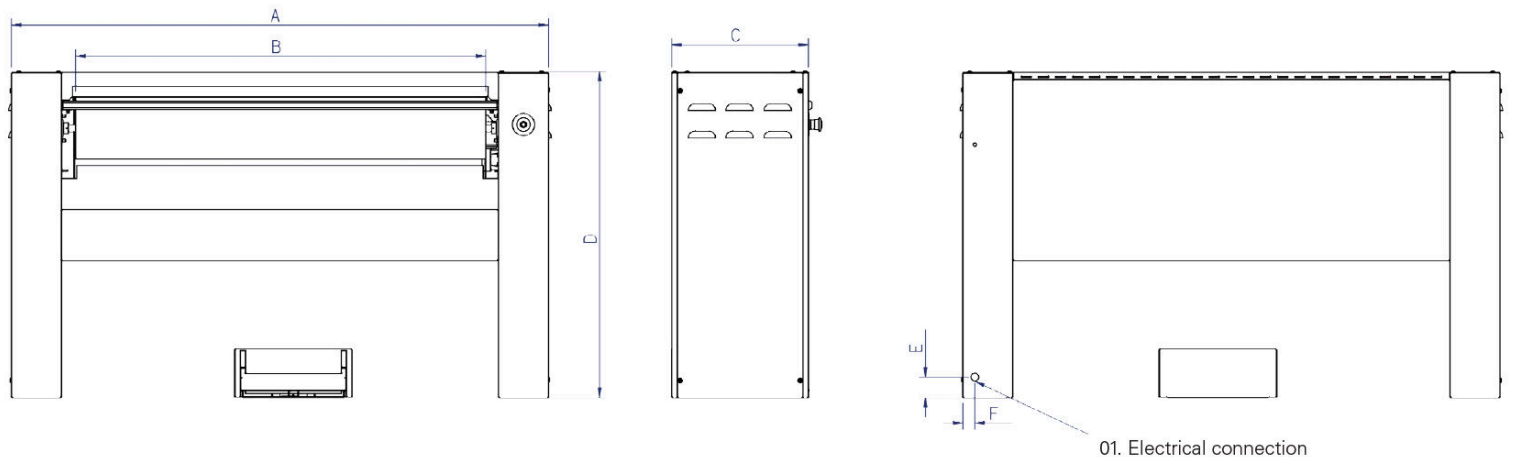


OTHERS

Front feeding and return
Roll Ø 180 mm
Working widths: 1.000 and 1.200 mm
Electric heating
CE certification



GENERAL DETAILS		UNIT.	R2D18-100
Theoretical production 20-25% humidity		Kg/h	15
		Lb/h	33,07
Roll Ø		mm	180
		Inch	7,09
Working width		mm	1.000
		Inch	39,37
Working speed		m/min	2,02
		ft/min	6,62
Nomex quality coating		-	NO
Electronic control		-	YES
Chest motion		-	Manual
POWER			
Heating power		Kw	3,30
Roll motor power		Kw	0,029
Fan motor power		Kw	-
Total electric power		Kw	3,329
CONNEXIONS			
Tension 230V I + N + T		n° x mm² /A	3 x 4 / 16A
		n° x AWG/A	3 x 11 / 16A
Tension 230V III + T		n° x mm² /A	N/A
		n° x AWG/A	N/A
Tension 400V III + N + T		n° x mm² /A	N/A
		n° x AWG/A	N/A
DIMENSIONS / DIMENSIONS WITH PACKAGING			
Net width / Gross width		mm	1.370 / 1.490
		Inch	54 / 59
Net depth / Gross depth		mm	438 / 540
		Inch	17 / 21
Net height / Gross height		mm	952 / 1.130
		Inch	37 / 44
Net weight / Gross weight		Kg	80 / 100
		Lb	176 / 220
Volume		m³	0,57 / 0,91
		ft3	20,13 / 32,14
OTHERS			
Number of fume outlets		NO	-
Ø fume outlets		mm	-
Air flow (suction)		m3/h	-
Noise level		dB	55



	A	B	C	D	E	F
R2D18/100	1370	1000	400	952	60	35
R2D18/120	1570	1200	400	952	60	35

