



MED-22 ET2

Medical barrier washers



EASY TOUCH 2

7" touch screen easy to use and fully programmable ET2, display on dirty side
Connection USB. free software online for programming, telemetry, data analysis...
Videos on display (instructions...)
37 languages
8 dosing signals as standard



FEATURES

Automatic positioning of drum, drum lock with optional electric brake
2 water inlets
WET CLEANING, telemetry as standard
Dual heating (electric - steam) model available
G FACTOR 350



EFFICIENCY

Optimized consumption, automatic or manual adjustment of water levels and detergents according to the load
Ready for water recovery tanks: AQUABAC
High G factor: reduced residual moisture, reduced drying time
Water Saving system: 3 configurable levels of savings



CONNECTIVITY

Danube Online communication - IoT as standard
Remote technical service
Laundry management



ERGONOMICS

Huge loading and unloading doors opening
Easy drum opening by push button
Loading height (670 mm from door base)



MAINTENANCE

Electric elements on left side, mechanical ones on right side, connections on the top (protected from detergents and water splashes)
Central drain as standard
Technical menu: statistics, alarms, autotest, data recovery for technicians and maintenance



OTHERS

2 opposed doors
Grey skinplate outer casing
Stainless steel AISI 304 top panel, vat and drum
Electronic control of imbalance with frequency inverter
Electric, steam or dual heating
CE approved



OPTIONS

- IoT licence - Danube Online
- 2SC 2nd Screen MED 16-22
- WS weighing system MED 16-22 (additional 6 dosing signals included)
- XD 6 extra dosing signals card
- TWI 3rd water inlet MED 16-22
- DD 2nd draining valve MED 16-22
- XL Ready for AQUABAC conn. 3/4" for barriers MED-22
- TV Titration valve MED 16-22
- LDV Side drain valve MED 16-22
- LPS Low steam pressure MED 16-22
- DBX Detergent box kit MED 22
- BR Motor brake MED 16-22
- UPS Option (in case of powerfailure) MED 16-22
- End of cycle light alarm
- 1OD 1-door opening (single side operation) MED 22
- Base for 850 mm loading height MED22
- SSC Stainless steel outer casing MED-22 (AISI-304)
- Stainless steel frame MED-22
- Stainless steel frame MED-22 with loading base
- WM Maritime Wood packaging for MED-22
- 440/60/3 (marine) MED-16-22

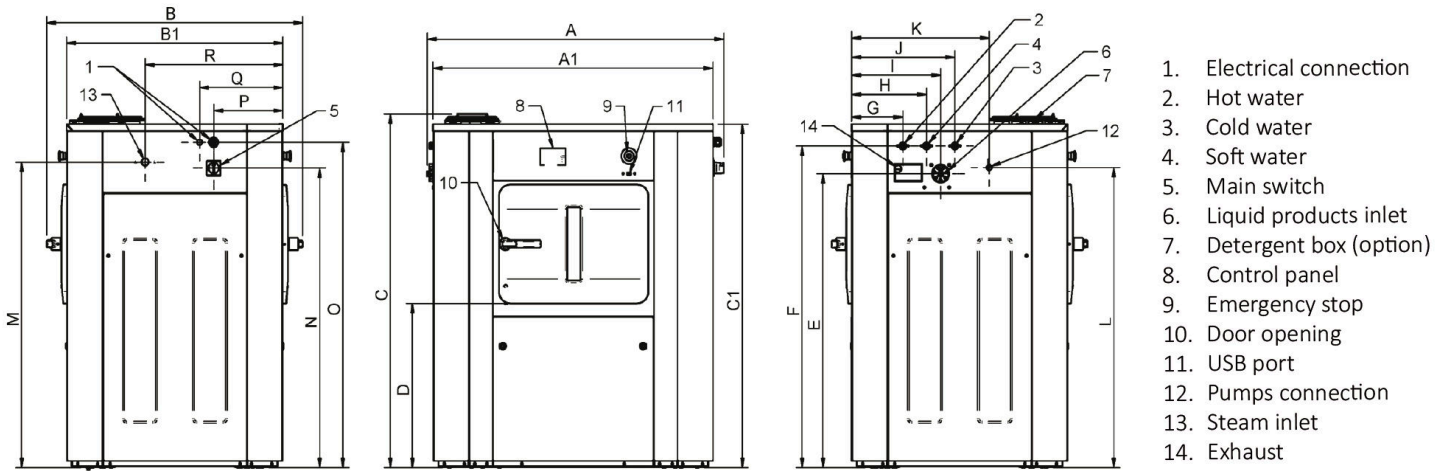
| DRUM | UNIT. | MED-22 ET2 | |
|--------------------------------------|-------------------------|--------------|--------------|
| Load capacity 1:9 | Kg | 24,5 | |
| | lb | 54 | |
| Load capacity 1:10 | Kg | 22 | |
| | lb | 48,5 | |
| Volume | l | 220 | |
| | ft ³ | 7,77 | |
| Diameter | mm | 633 | |
| | inch | 24,9 | |
| Depth | mm | 700 | |
| | inch | 27,6 | |
| Drum compartments | - | 1 | |
| Pullman drum score | - | N/A | |
| GENERAL DETAILS | | | |
| Washing speed | rpm | 45 | |
| Spining speed | rpm | 1.000 | |
| G Factor | - | 350 | |
| Microprocessor ET2 | - | 7" | |
| Double screen | - | OPT. | |
| Motor break | - | OPT. | |
| Double drainage | - | OPT. | |
| DOOR | | | |
| Drum opening dimensions | mm | 400 x 315 | |
| | inch | 15,7 x 12,4 | |
| Vat opening dimensions | mm | 455 x 415 | |
| | inch | 17,9 x 16,3 | |
| Height door bottom | mm | 670 | |
| | inch | 26,4 | |
| POWER | | | |
| Motor | kW | 2,20 | |
| Electric heating | kW | 18 | |
| Total electric power (elec mod) | kW | 20,20 | |
| Total electric power (hot water mod) | kW | 2,20 | |
| Total electric power (steam mod) | kW | 2,20 | |
| CONNECTIONS | | E/DUAL | S |
| Tension 230V I + N + T 50/60Hz | Nº x mm ² /A | N/A | 3 x 1,5 / 6A |
| Tension 230V III + T 50/60Hz | Nº x mm ² /A | 4 x 10 / 50A | N/A |
| Tension 400V III + N + T 50/60Hz | Nº x mm ² /A | 5 x 6 / 32A | N/A |
| Steam inlet (steam mod) | mm | 20 / 27 | |
| | inch | 3/4" | |
| Steam pressure | bar | 4 - 8 | |
| | psi | 58 - 116 | |
| Water inlet | mm | 20 / 27 | |
| | inch | 3/4" | |
| Water pressure | bar | 3 - 5 | |
| | psi | 43 - 72 | |
| Max. Water consumption* | Lit/h | 198 | |
| Drain | mm | 80 | |
| | inch | 3" | |
| Drain capacity | l/min | 200 | |
| | cfm | 5,65 | |
| COMPRESSED AIR | | | |
| Air inlet | mm | N/A | |
| | inch | N/A | |
| Air pressure | bar | N/A | |
| | psi | N/A | |



| | | |
|--|-----------------|-------------------------|
| Air consumption | l/min | N/A |
| | cfm | N/A |
| OVERALL DIMENSIONS / PACKING DIMENSIONS | | |
| Net width / Gross width | mm | 1.256 / 1.262 |
| | inch | 46,6 / 49,7 |
| Net depth / Gross depth | mm | 1.082 / 1.102 |
| | inch | 42,6 / 43,4 |
| Net height / Gross height | mm | 1.382 (1.426**) / 1.530 |
| | inch | 54,4 (56,14**) / 60,2 |
| Net weight / Gross weight | kg | 471 / 494 |
| | lb | 1.038 / 1.089,1 |
| Volume | m ³ | 1,88 / 2,13 |
| | ft ³ | 66,39 / 75,1 |

* Program No 2, 100 % load

** (with detergent box option)



| | A | B | C | A1 | B1 | C1 | D | E | F | G | H | I | J | K | L | M | N | O | P | Q | R |
|---------------|-------|-------|-------|-------|-----|-------|-----|-------|-------|-----|-----|-----|-----|-----|-------|-------|-------|-------|-----|-----|-----|
| MED-16 | 1 056 | 1 082 | 1 426 | 984 | 914 | 1 385 | 661 | 1 184 | 1 296 | 217 | 317 | 377 | 437 | 582 | 1 209 | 1 231 | 1 207 | 1 311 | 292 | 352 | 582 |
| MED-22 | 1 256 | 1 082 | 1 426 | 1 184 | 914 | 1 385 | 661 | 1 184 | 1 296 | 217 | 317 | 377 | 437 | 582 | 1 209 | 1 231 | 1 207 | 1 311 | 292 | 352 | 582 |

