

STD-18 SILVER XP ET2 STD SILVER XP stack dryers

EASY TOUCH 2

7" touch screen user friendly and programmable ET2
USB Connection. Online platform free of charge
for programming, telemetry, data analysis
Videos on display (ads, instructions, etc.)
37 languages

FEATURES

Reversing drum action as standard
Stainless steel drum as standard
Frequency inverter as standard

EFFICIENCY

DOUBLE FLOW - mixed axial-radial airflow
Big fluff filter

VERSATILITY

Make to order - customisation
WET CLEANING
OPL > Multivending - Standard OPL model easily trasformable
to coin laundry uses

CONNECTIVITY

Danube Online communication - IoT standard
Remote technical service
Management of laundries: OPL and COIN

ERGONOMICS

Drawer as fluff filter, stainless steel mesh
Big door diameters

MAINTENANCE

Hinged control panel: easy and ergonomic access
Technical menu: statistics, data recovery for after-sales
service, software updates, etc.
Easy access to components

OTHERS

Grey skinplate outer casing, stainless steel look
SOFT DRY - new drum with stamped holes
COOL DOWN - anti-wrinkle at the end of the cycle
Electric or gas heating (except STD-22 XP model: only gas)
CE approved



OPTIONS

- IMC CARE DRY Humidity sensor STD (1 unit per stack)
- DG Double door glass STD (1 unit per stack)
- FEX Sprinkler fire extinguisher STD (1 unit per stack)
- NG Natural gas heated tumble dryer (LPG as standard)
- TR Tropicalized model (ET2) (1 unit per stack)
- RD Opposite door opening STD (1 unit per stack)
- AF Back panel with air filter (STD)
- F03 Fluff filter with grid 0,3 mm (standard is 0,6 mm STD)
- 400V 3~ 50 Hz STD-11-18
- 400V 3N 60 Hz STD-11-35
- 400V 3~60Hz STD-11-22
- 230V 3~ 60 Hz STD-11-18 G
- SSC Stainless steel outer casing (AISI-304) 18 STD
- 230V 3~ 60 Hz STD-11-18 E
- 440V/480V 3~ 60 Hz STD-11-22
- SSF Stainless steel front panel AISI-304 STD 11-18
- WB Wooden packing STD-18
- IoT licence - Danube Online
- Several payment systems for self-service

CAPACITY & DRUM	UNIT.	STD-18 SILVER XP ET2	
Capacity 1/18	Kg	18,3 x 2	
	lb	40,3 x 2	
Capacity 1/20	Kg	16,5 x 2	
	lb	36,4 x 2	
Ø Drum	mm	750	
	inch	29,5	
Drum length	mm	746	
	inch	29,4	
Drum volume	l	330	
	cu ft	11,64	
Ø Door hole	mm	574	
	inch	22,6	
Door center height	mm	547 / 1522	
	inch	21,54 / 59,92	
Height from floor to bottom of door	mm	189 / 1164	
	inch	7,32 / 45,83	
ELECTRIC HEATING			
Evaporation capacity *	L/h *	15,5 x 2	
	US gallon/h *	3,96 x 2	
Hourly output**	Kg/h **	31 x 2	
	lb/h **	66,1 x 2	
Installed heating power	kW	18 x 2	
Installed electrical power	kW	37,34	
Drum motor power	kW	0,37 x 2	
GAS HEATING			
Evaporation capacity*	L/h	16 x 2	
	US gallon/h	4,22 x 2	
Hourly output **	Kg/h	32 x 2	
	lb/h	70,9 x 2	
Installed gas heating power	kcal/h	17627 x 2	
	Btu/h	69996 x 2	
	kW	20,5 x 2	
Installed electrical power	kW	1,34	
Instant LPG gas consumption (G31)	Kg/h	1,76 x 2	
	lb/h	3,88 x 2	
Instant natural gas consumption (G20)	m³/h	2,17 x 2	
	cfm	1,28 x 2	
Ø Gas inlet	BSPP ISO 228-1	3/4"	
VENTILATION			
Fan motor power	kW	0,25 x 2	
Nominal air flow rate	m³/h	500 x 2	
	cfm	294,28 x 2	
Ø Fume exhaust	mm	200	
	inch	7,87	
HEAT EMISSION			
Maximum total heat emission	kW	3,3	
	Btu/h	11198	
Max. front heat emission	kW	1,2	
	Btu/h	4199	
CONNECTIONS			
Tension 230V - I + N + T	Nº x mm² / A	E	G
Tension 230V - III + T	Nº x mm² / A	-	3 x 2,5 / 16A
Tension 400V - III + N + T	Nº x mm² / A	4 x 50 / 125A	3 x 2,5 / 16A (5*)
		5 x 16 / 63A	3 x 2,5 / 16A (6*)
NET DIMENSIONS / PACKING DIMENSIONS			
Net / gross width	mm	785 / 865	
	inch	30,9 / 34,1	



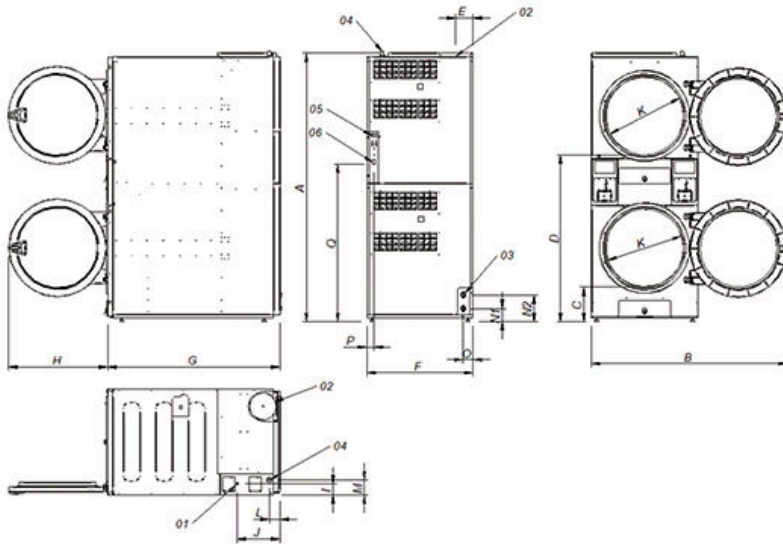
Net / gross depth	mm	1271 / 1354
	inch	50 / 53,3
Net / gross height	mm	1994 / 2126
	inch	78,5 / 83,7
Net / gross weight	Kg	314 / 329
	lb	692 / 725
OTHERS		
Max. sound level (1 m in front)	dB	64

* Drying conditions: full load (1/20) of towels, drying temperature 90°C.

** Kg dry linen per hour, according to the above drying conditions.

(5*) Connect 2 phases and earth

(6*) Connect phase, neutral and earth



- 01. Power supply
- 02. Fumes extraction \varnothing 200 mm
- 03. 2 sprinkler valves 3/4"
- 04. Gas inlet 1/2"
- 05. Ethernet connection (ET2 model only)
- 06. ON/OFF control switch

		A	B	C	D	E	F	G	H	I	J	K	L	M	N1	N2	O	P	Q
STD-11 XP	mm	1980	1447	259	1234	131	785	1001	735	83	318	575	77	113	97	197	73	54	1163
STD-14 XP	mm	1980	1447	259	1234	131	785	1135	735	83	318	575	77	113	97	197	73	54	1163
STD-18 XP	mm	1980	1447	259	1234	131	785	1271	735	83	318	575	77	113	97	197	73	54	1163

