

# S1000-2600 S compact ironers

## FEATURES

S models are ironers that dry and iron only, without any folding devices

- Roll dimensions: working width 2m60 and 3m30,  $\varnothing$  600, 800 or 1000 mm.
- Frequency inverter.
- Feeding and ironing by Nomex quality belts.
- Panels in white painted steel.
- Polished steel roll with fingers guard.
- Touch screen control: programs can be created with temperature and speed control:
  - between 3 and 10 m/min ( $\varnothing$  600 mm)
  - between 3 and 13 m/min ( $\varnothing$  800 mm)
  - between 4 and 18 m/min ( $\varnothing$  1000 mm)
- Big output capacity: depending on the residual moisture of the linen, straight from a high spin washer extractor:
  - up to 140 kg/h ( $\varnothing$  600 mm)
  - up to 220 kg/h ( $\varnothing$  800 mm)
  - up to 290 kg/h ( $\varnothing$  1000 mm)
- Electric, gas or steam heating
- Powerful exhaust system
- Compressed air connexion required: pressure 6,5 bar



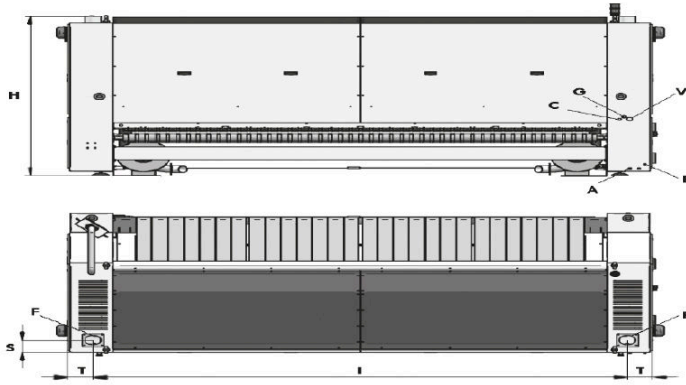
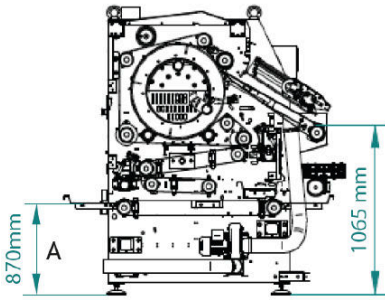
## OPTIONS

- Vacuum belts to help linen feeding
- Automatic 1 lane clamp feeder (requires vacuum feeding belts option)
- Rear exit
- Motorized rear exit - height 860 mm. (rear exit included)
- Small pieces back collector: 2 lanes (requires rear exit option)
- Small pieces back collector: 4 lanes (requires rear exit option)
- Different voltage from 400V III +N 50Hz
- Maritime packing for S

| GENERAL DATA                                   | UNIT. | S1000-2600    |
|--|-------|---------------|
| Theoretical production* elec/steam             | Kg/h  | 190-230       |
| Theoretical production gas heating*            | Kg/h  | 190-230       |
| Theoretical production* radiant gas burner     | Kg/h  | 228-276       |
| Ø Roll   | mm    | 1.000         |
| Working width                                  | mm    | 2.600         |
| Height floor-feeding                           | mm    | 1.050         |
| Working speed                                  | m/min | 4-18          |
| Control type                                   | -     | Digital       |
| No. of programs                                | Nº.   | 20            |
| MAIN FUNCTIONS                                 |       |               |
| Drying   | -     | YES           |
| Ironing  | -     | YES           |
| Longitudinal folding                           | -     | NO            |
| Cross folding                                  | -     | NO            |
| Lateral stacking (Roll-Off or compact stacker) | -     | NO            |
| FOLDING  |       |               |
| 1 lane - lengthfold                            | Nº.   | NO            |
| 1 lane - crossfold                             | Nº.   | NO            |
| 2 lanes - lengthfold                           | Nº.   | NO            |
| 2 lanes - crossfold                            | Nº.   | NO            |
| POWER  |       |               |
| Electric model - Consumption                   | A     | 130           |
| Electric model - Heating power                 | kW    | 90            |
| Electric model - Total electrical power        | kW    | 92,6          |
| Steam model - Consumption                      | Kg/h  | 200           |
| Steam model - Power (max 12 bar)               | kW    | 120           |
| Steam model - Total electrical power           | kW    | 2,6           |
| Liquefied gas (LPG) model - Consumption        | m³/h  | 4,50          |
| Liquefied gas (LPG) model - Power              | kW    | 121,30        |
| Natural gas (NG) model - Consumption           | m³/h  | 12,80         |
| Natural gas (NG) model - Power                 | kW    | 120,9         |
| Gas LPG / NG model - Total electrical power    | kW    | 2,6           |
| CONNECTIONS                                    |       |               |
| Ø Gas inlet                                    | BSP   | 1"            |
| Ø Steam inlet (12 bar max.)                    | BSP   | 1-1/4"        |
| Ø Condensed (steam models)                     | BSP   | 1"            |
| Ø Air inlet                                    | mm    | 12            |
| DIMENSIONS                                     |       |               |
| Net width / gross width                        | mm    | 3.790 / 4.000 |
| Net depth / gross depth                        | mm    | 2.090 / 2.280 |
| Net height / gross height                      | mm    | 2.430 / 2.400 |
| Net weight / gross weight                      | Kg    | 3.100 / 3.550 |
| Volume   | m³    | 19,25 / 21,89 |
| OTHERS   |       |               |
| Exhaust outlet                                 | Nº    | 2             |
| Exhaust outlet Ø                               | mm    | 160           |
| Air extraction flow rate                       | m³/h  | 2 x 1400      |
| Air consumption (6.5 bar)                      | NI/h  | 5.000         |
| Noise level                                    | dB    | <80           |

\*50% residual moisture, 140gr / m2 cotton,100% roll use





- A. Compressed air inlet
- B. Rear collector
- C. Condensed discharge (steam model)
- E. Electrical connection
- F. Fumes extraction
- G. Gas inlet
- V. Steam inlet

|            | H     | I     | T   | S   | A    | C    | E       | F     | G  | V      |
|------------|-------|-------|-----|-----|------|------|---------|-------|----|--------|
| S1000-2600 | 2.166 | 3.242 | 186 | 152 | Ø 12 | 1/2" | 5 x 2,5 | Ø 120 | 1" | 1-1/4" |
| S1000-3300 | 2.166 | 3.942 | 186 | 152 | Ø 12 | 1/2" | 5 x 2,5 | Ø 120 | 1" | 1-1/4" |

