

DD-80 SILVER ET2 SILVER dryers

EASY TOUCH 2

User friendly and totally programmable 7" ET2
USB Connection.
Online platform free of charge for programming, telemetry, data analysis
Videos on display (ads, instructions, etc.)
37 languages

FEATURES

Reversing drum action as standard
Stainless steel drum as standard
Frequency inverter as standard

EFFICIENCY

DOUBLE FLOW - mixed axial-radial airflow
Big fluff filter as drawer

VERSATILITY

Make to order - customisation
WET CLEANING
OPL > Multivending - Standard OPL model easily trasformable to coin laundry uses

CONNECTIVITY

Danube Online communication - IoT as standard
Remote technical service
Management of laundries: OPL and COIN

ERGONOMICS

Drawer as fluff filter, stainless steel mesh
Big door diameters
Opening sense of door adjustable on site

MAINTENANCE

Hinged control panel: easy and ergonomic access
Technical menu: statistics, data recovery for after-sales service, software updates, etc.
Easy access to components

OTHERS

Grey skinplate outer casing, stainless steel look
NEW: transmission by gear motor on models DD-45 to 80
SOFT DRY - new drum with stamped holes
COOL DOWN - anti-wrinkle at the end of the cycle
Electric, gas or steam heating
CE approved



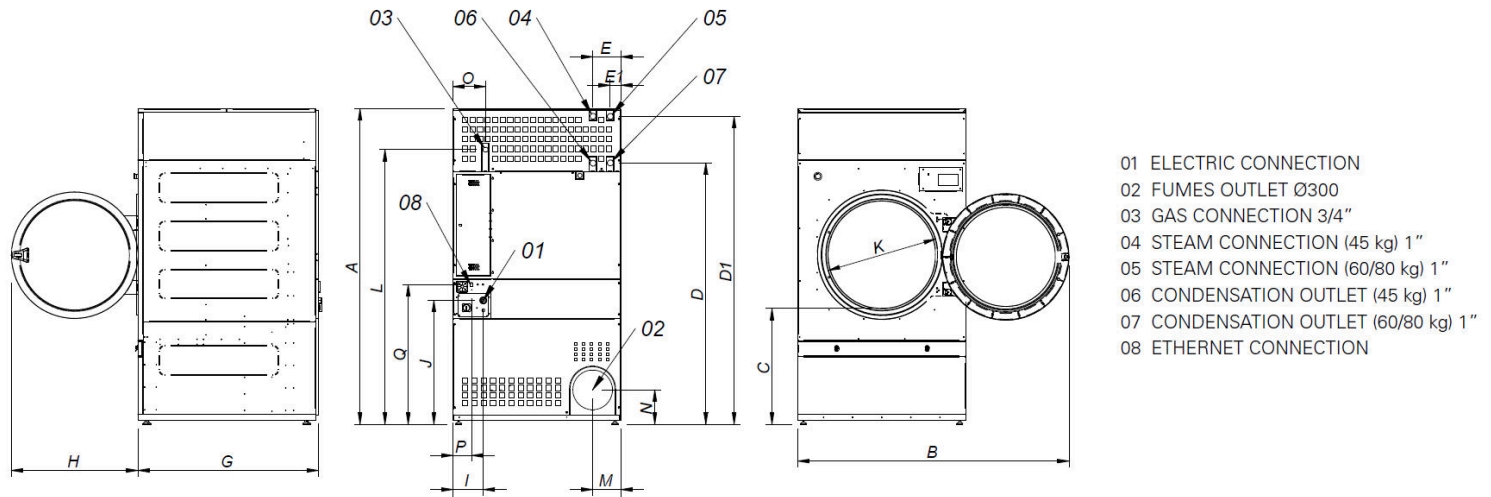
OPTIONS

- IoT licence - Danube Online
- GA Automatic sliding door 45 to 80 models (with double door glass)
- GM Manual sliding door 45 to 80 models (not available with double door glass)
- NG Natural gas heated tumble dryer (LPG as standard)
- TS frontal tilting kit for models 45 to 80
- IMC CARE DRY Humidity sensor
- DG Double doorglass DD-35-80
- AF Back panel with air filter from 45 to 80
- FEX Sprinkler fire extinguisher 60,80
- RD Opposite door opening 45-80
- TR Tropicalized model (ET2)
- DS Perfumes dosing / spraying
- F06 Fluff filter with grid 0,6mm (standard is 0,3mm)
- F12 Fluff filter with grid 1,2 mm (standard is 0,3 mm)
- SSC Stainless steel outer casing 80
- SSF Stainless steel front panel 45, 60, 80
- LPB Low steam pressure battery 45,60,80
- WB Wooden packing 80
- 400V 3N 60 Hz DD-45-80 E/S
- 400V 3N 60 Hz DD-45-80 G
- 230V 3~ 50 Hz DD-45-80 G/S
- 440/480V 3~ 60 Hz DD-45-60-80
- 230V 3~ 60 Hz DD-45,80 S
- 230V 3~ 60 Hz DD-45,80 G
- 400V 3~ 50 Hz DD-60-80

CAPACITY & DRUM		UNIT.	DD-80 SILVER ET2
Capacity 1/18		Kg	83,3
		lb	183,6
Capacity 1/20		Kg	75
		lb	165,3
Ø Drum		mm	1.225
		inch	48,23
Drum length		mm	1.252
		inch	49,29
Drum volume		l	1.500
		cu ft	52,95
Ø Door hole		mm	802
		inch	31,57
Door center height		mm	1.275
		inch	50,20
Height from floor to bottom of door		mm	813
		inch	31,99
ELECTRIC HEATING			
Evaporation capacity		L/h	64
		US gallon/h	16,9
Hourly output		Kg/h	128,6
		lb/h	283,5
Installed heating power		kW	72
Installed electrical power		kW	74,65
Drum motor power		kW	1,50
GAS HEATING			
Evaporation capacity (gas model)		L/h	86,5
		US gallon/h	22,851
Hourly output (gas model)		Kg/h	173,1
		lb/h	381,6
Installed gas heating power		kcal/h	103181
		Btu/h	409456,9
Installed gas heating power		kW	120
Installed electrical power		kW	2,65
Instant propane gas consumption (G31)		Kg/h	10,28
		lb/h	22,66
Instant natural gas consumption (G20)		m ³ /h	12,71
		cfm	7,48
Ø Gas inlet		BSPP ISO 228-1	3/4"
STEAM HEATING			
Installed steam heating power		kW	128
		Btu/h	436754
Installed electrical power		kW	2,65
Steam consumption (8 barG) - Standard		kg/h	171
Steam consumption (116 psiG)		lb/h	206
Steam pressure		barG	7 - 12
		psiG	101,5 - 178
Standard steam inlet - outlet		BSPT- ISO7.1	1"
Steam inlet - condensate outlet		NPT ANSI B1.20.1 Tapered	1"
Steam consumption (5 barG) - Low Pressure		kg/h	147
Steam consumption (72,5 psiG) - Low Pressure		lb/h	177,1
Steam pressure (low pressure)		barG	4 - 7
		psiG	58 - 101,5
Low pressure steam inlet - outlet		BSPT- ISO7.1	1" 1/2
VENTILATION			
Fan motor power		kW	1,1
Nominal air flow rate		m ³ /h	3.000
		cfm	1765,73



Ø Fume exhaust	mm	300	
	inch	11,81	
HEAT EMISSION			
Maximum total heat emission	kW	6,48	
	Btu/h	22123,6	
Max. front heat emission	kW	2,88	
	Btu/h	9832,7	
CONNECTIONS			
Tension 230V - I + N + T	Nº x mm² / A	-	-
Tension 230V - III + T	Nº x mm² / A	-	4 x 2,5 / 25A
Tension 400V - III + N + T	Nº x mm² / A	5 x 50 / 125A	5 x 2,5 / 25A
NET DIMENSIONS / PACKING DIMENSIONS			
Net / gross width	mm	1.270 / 1.330	
	inch	50 / 52,36	
Net / gross depth	mm	1.598 / 1.705	
	inch	62,91 / 67,13	
Net height / gross height (* without heating)	mm	2.380 /*2.200	
	inch	93,70 /*86,61	
Net / gross weight	Kg	657 / 715	
	lb	1.448,44 / 1.576,31	
OTHERS			
Sound level	dB	67	



	A	B	C	D	D1	E	E1	F	G	H	I	J	K	L	M	N	O	P	Q
DD-45	2380*	2045	874	1981	2311	211	80	1270	1106	956	248	935	802	2088	214	240	244	160	1053
DD-60	2380*	2045	874	1981	2311	211	80	1270	1366	956	248	935	802	2088	214	240	244	160	1053
DD-80	2380*	2045	874	1981	2311	211	80	1270	1598	956	248	935	802	2088	214	240	244	160	1053

* Measurement with legs mounted (30mm)

