

# SPE1000-2600

## SPE compact ironers

### FEATURES

SPE models are ironers that dries, irons and folds with a lengthwise and crosswise folder. They can be equipped with a stacker as option: 2 models available.

- Roll dimensions: working width 2m60 and 3m30, ø 600, 800 or 1000 mm
- 1 or 2 working lanes: one for bedsheets and two lanes for table cloth and small pieces.
- Length fold (1 or 2 folds) and crossfold (up to 3 folds)
- Folding by photocells and compressed air.
- 2 types of stacker as option, with possibility to program the number of stacked items. The stacker can be located on either side to the machine.
- Frequency inverter.
- Feeding and ironing by Nomex quality belts.
- Panels in white painted steel.
- Polished steel roll with fingers guard.
- Touch screen control: programs can be created, with temperature and speed control:
  - between 3 and 10 m/min (ø 600 mm),
  - between 3 and 13 m/min (ø 800 mm),
  - between 4 and 18 m/min (ø 1000 mm)
- Big output capacity: depending on the residual moisture of the linen straight away from a high spin washer:
  - up to 140 kg/h (ø 600 mm)
  - up to 220 kg/h (ø 800 mm)
  - up to 290 kg/h (ø 1000 mm)
- Electric, gas or steam heating
- Powerful exhaust system
- Compressed air connexion required: pressure 6,5 bar



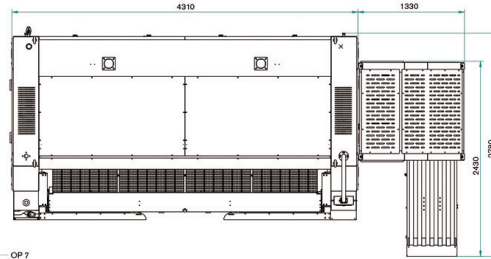
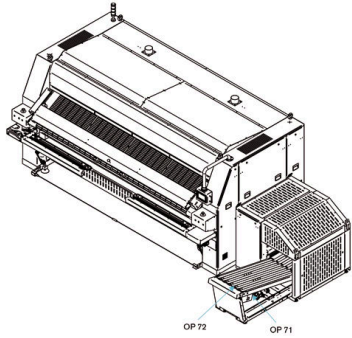
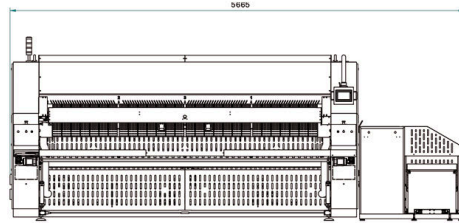
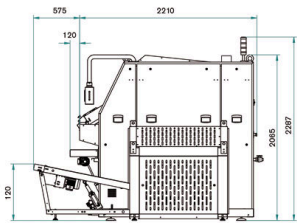
### OPTIONS

- Compact side stacker (stacking by blades)
- Roll-off side stacker (stacking by dragging)
- Vacuum belts to help linen feeding
- Automatic 1 lane clamp feeder (requires vacuum feeding belts option)
- By pass for rear exit
- Rear exit with table (H=860 mm). Requires by-pass option
- 2 lanes rear collector for small items (requires by-pass option)
- 4 lanes rear collector for small items (requires by-pass option)
- Double air pressure for thick linen
- Dirty or torn linen rejection system (buttons)
- 4 lanes for lengthfolding
- Low side exit table (without stacker) H=480 mm
- Motorised high side exit table (without stacker) H=805 mm
- Rotating control panel
- Remote service
- Other tension than 400V III+N 50Hz
- Maritime packing pour COMPACT SPE
- Maritime packing for side stacker
- Maritime packing fro ROLL OFF
- Maritime packing for 2 lanes collector
- Maritime packing for 4 lanes collector

GENERAL DATA	UNIT.	SPE1000-2600
Theoretical production elec/steam	Kg/h	190-230
Theoretical production gas heating*	Kg/h	-
Theoretical production radiant gas burner (+20%)*	Kg/h	228-276
Ø Roll	mm	1.000
Working width	mm	2.600
Height floor-feeding	mm	1.050
Working speed	m/min	4-18
Control type	-	Digital
No. of programs	Nº.	20
MAIN FUNCTIONS		
Drying	-	YES
Ironing	-	YES
Longitudinal folding	-	YES
Cross folding	-	YES
Lateral stacking (Roll-Off or compact stacker)	-	OPT
FOLDING		
1 lane - lengthfold	Nº.	1-2
1 lane - crossfold	Nº	1-2-3
2 lanes - lengthfold	Nº	1-2
2 lanes - crossfold	Nº	1-2
4 lanes - crossfold	Nº	1-2
4+ lanes	Nº	NO
POWER		
Electric model - Consumption	A	200
Electric model - Heating power	kW	90
Electric model - Total electrical power	kW	93,4
Steam model - Consumption	Kg/h	200
Steam model - Power (max 12 bar)	kW	120
Steam model - Total electrical power	kW	3,9
Liquefied gas (LPG) model - Consumption	m³/h	4,5
Liquefied gas (LPG) model - Power	kW	121,3
Natural gas (NG) model - Consumption	m³/h	12,8
Natural gas (NG) model - Power	kW	120,9
Gas LPG / NG model - Total electrical power	kW	3,9
CONNECTIONS		
Ø Gas inlet	BSP	1"
Ø Steam inlet (12 bar max.)	BSP	1-1/4"
Ø Condensed (steam models)	BSP	1"
Ø Air inlet	mm	12
DIMENSIONS		
Net width / gross width	mm	3.740 / 3.900
Net depth / gross depth	mm	2.290 / 2.300
Net height / gross height	mm	2.480 / 2.290
Net weight / gross weight	Kg	3.860 / 4.310
Volume	m³	21,24 / 20,54
OTHERS		
Exhaust outlet	Nº	2
Exhaust outlet Ø	mm	160
Air extraction flow rate	m³/h	2 x 1.400
Air consumption (6.5 bar)	NI/h	21.000
Noise level	dB	<80

\*50% residual moisture, 140gr / m2 of cotton,100% roll use





- Standard :
- ST 1 - Warning light
  - ST 2 - Emergency stop
  - ST 3 - Lifting eye bolts (crane)
  - ST 4 - Exhaust outlet

- Options :
- OP 1 - Swinging arm
  - OP 2 - Vacuum feeding belts
  - OP 3 - Clamps feeder
  - OP 4 - Linen reject button
  - OP 5 - Roll-off stacker
  - OP 6 - 2 or 4 lanes collector
  - OP 7 - Compact stacker
  - OP 31 - Brush guides feeder
  - OP 51 - Reset button
  - OP 52 - Conveyor belts
  - OP 71 - Reset button
  - OP 72 - Conveyor belts

