



R2D18-100N

Ø 180 mm wall ironers



## ELECTRONIC CONTROL

Simple and user friendly : Start/stop button, selection of 4 temperatures  
Preset ironing speeds, not adjustable



## FEATURES

Large roll contact area with the linen  
Roll lifting control by pedal  
Two available models:  
• Standard model: roll with cotton polyester coating  
• Nomex Model: roll with Nomex coating



## ROBUSTNESS

Nomex quality coating: resistant to high temperatures  
Panels in grey skinplate and stainless steel  
Wooden feeding board



## EFFICIENCY

Acoustic comfort : <55 dB  
Minimum space requirement: space saving, suitable for small spaces  
Ideal for processing small quantity of flat linen in facilities like restaurants, guest rooms, hostels, etc.



## MAINTENANCE

Easy installation : requires only an electrical connection  
Easy access on both sides for maintenance

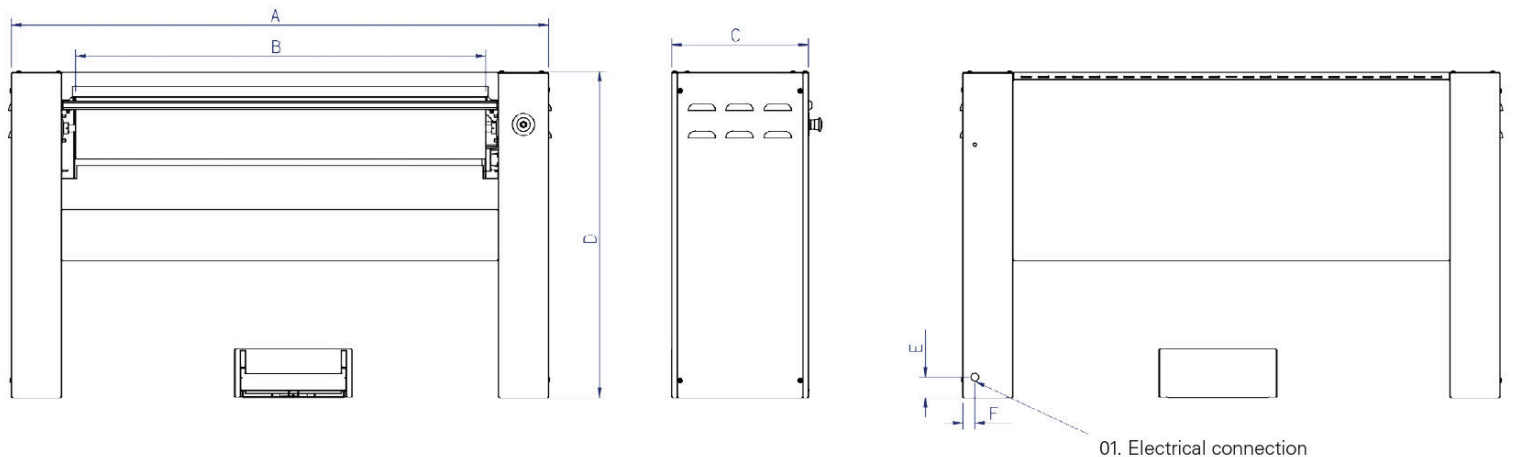


## OTHERS

Front feeding and return  
Roll Ø 180 mm  
Working widths: 1.000 and 1.200 mm  
Electric heating  
CE certification



GENERAL DETAILS	UNIT.	R2D18-100N
Theoretical production 20-25% humidity	Kg/h	15
	Lb/h	33,07
Roll Ø	mm	180
	Inch	7,09
Working width	mm	1.000
	Inch	39,37
Working speed	m/min	2,02
	ft/min	6,62
Nomex quality coating	-	YES
Electronic control	-	YES
Chest motion	-	Manual
POWER		
Heating power	Kw	3,30
Roll motor power	Kw	0,03
Fan motor power	Kw	-
Total electric power	Kw	3,33
CONNEXIONS		
Tension 230V I + N + T	n° x mm² /A	3 x 4 / 16A
	n° x AWG/A	3 x 11 / 16A
Tension 230V III + T	n° x mm² /A	N/A
	n° x AWG/A	N/A
Tension 400V III + N + T	n° x mm² /A	N/A
	n° x AWG/A	N/A
DIMENSIONS / DIMENSIONS WITH PACKAGING		
Net width / Gross width	mm	1.370 / 1.490
	Inch	54 / 59
Net depth / Gross depth	mm	438 / 540
	Inch	17 / 21
Net height / Gross height	mm	952 / 1.130
	Inch	37 / 44
Net weight / Gross weight	Kg	80 / 100
	Lb	176 / 220
Volume	m³	0,52 / 0,91
	ft³	20,13 / 32,14
OTHERS		
Number of fume outlets	NO	-
Ø fume outlets	mm	-
Air flow (suction)	m³/h	-
Noise level	dB	55



	A	B	C	D	E	F
R2D18/100	1370	1000	400	952	60	35
R2D18/120	1570	1200	400	952	60	35

