

D-20 GOLD

GOLD ø 325 mm flatwork ironers



ELECTRONIC CONTROL

BM control, simple and user friendly, 2 selectable operating modes:
AUTO mode : automatic management of ironing speed according to the selected temperature.
MANUAL mode: selection of temperature and speed



EFFICIENCY

Good heat conduction thanks to the roll material and thickness:
greater control of energy expenditure
Automatic shutdown at 80°C (adjustable parameter)
Fumes circulation circuit from the bottom reducing energy consumption
Gas radiant burners: + 33% more productive



ROBUSTNESS

Roll driving by speed inverter
Nomex quality feeding and ironing belts: high temperatures resistant
Panels in skinplate and stainless steel.
Coiled felt for greater lifespan
Nickel plate roll as option: anticorrosive, more durable



ERGONOMICS

Acoustic comfort : <65 dB
Appropriate operating height: 990 mm feeding belts
Minimal encumbrance: space saving, suitable for most spaces
Electronic control with Auto mode: easy to use, optimized ironing speed



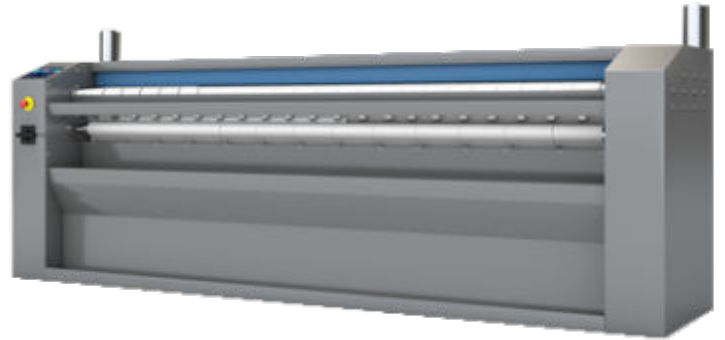
MAINTENANCE

Easy access to all components on both sides of the machine
Basic connections : electrical connection and air extraction



OTHERS

Dries and irons flat linen from a high spin washer extractor in a single operation
Front feeding and return
Built-in cool down system
Polished steel roll ø 325 mm
Working widths: 2.000, 2.600 and 2.600 mm
Electric or radiant gas heating
CE standard



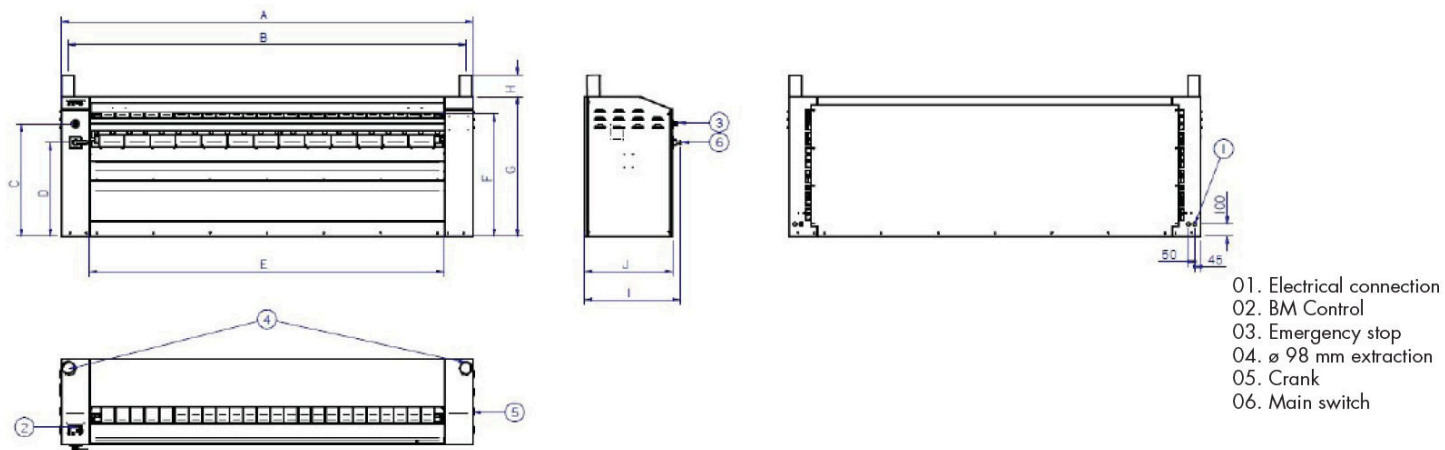
OPTIONS

- IMC CARE IRON humidity control - ø 325 mm
- NI Nickel plate roll D-20 GOLD
- LPG Propan gas for radiant gas model
- NG Natural gas for radianta gas model
- 230V I N 50 Hz (D-20 GOLD GR)
- 230V I N 60 Hz (D-20 GOLD GR)
- 230V III 50-60 Hz (D-20 GOLD E)
- 440V 50-60 Hz (D-20 GOLD E)

GENERAL DETAILS	UNIT.	D-20 GOLD	
Theoretical production Electric heating*	Kg/h	50	
	lb/h	110	
Theoretical production Gas atmo heating*	Kg/h	N/A	
	lb/h	N/A	
Theoretical production Radiant gas heating*	Kg/h	65	
	lb/l	143	
Roll Ø	mm	325	
	inch	12,80	
Working width	mm	2.000	
	inch	78,7	
Height floor-feeding belts	mm	990	
	inch	39,0	
Working speed	m/min	1,5-12	
	ft/min	4.9-39	
Electronic control	-	YES	
No. Programs	-	2	
Length folder	-	N/A	
Large surface contact with linen	-	270°	
POWER			
Electric mod.: heating power	Kw	31,5	
Electric mod: Total electric power	Kw	32,02	
Gas mod.: heating power	Kw	40	
Gas mod.: total electric power	Kw	0,77	
Steam mod.: heating power	Kg/h	-	
Roll motor power	Kw	0,41	
Fan motor power	Kw	0,18 x 2	
CONNECTIONS		E	G
Tension 230V - I + N + T	Nº x mm² / A	N/A	3 x 2,5 / 6A
	nº x AWG/A	N/A	3 x 13 / 6A
Tension 230V - III + T	Nº x mm² / A	4 x 25 / 100A	4 x 2,5 / 6A
	nº x AWG/A	4 x 3 / 100A	3 x 13 / 6A
Tension 400V - III + N + T	Nº x mm² / A	5 x 10 / 50A	5 x 2,5 / 6A
	nº x AWG/A	5 x 7 / 50A	5 x 13 / 6A
Ø Gas inlet	BSP	1/2"	
Ø Steam inlet	BSP	-	
Ø Condensed (Steam models)	BSP	-	
OVERALL DIMENSIONS / PACKING DIMENSIONS			
Net width / Gross width	mm	2.552 / 2.780	
	inch	100,5 / 109,4	
Net depth / gross depth	mm	686 / 770	
	inch	27 / 30,3	
Net height / gross height	mm	1.112 / 1.400	
	inch	43,8 / 55,1	
Net weight / gross weight	kg	445 / 458	
	lbs	981 / 1.010	
Net volume / Gross volume	m³	1,95 / 3,00	
	ft³	68,75 / 105,83	
OTHERS			
No. Fume outlet	Nº	2	
Ø Fume outlet	mm	98	
	inch	3,86	
Air Flow	m³/h	1.000	
	cfm	589	
Sound level	dB	63	
Evaporation power	l/h	29	
	USgallon/h	7,7	
Additional ELECTRIC POWER with folder option	-	-	



* Theoretical production with 45% moisture



	A	B	C	D	E	F	G	H	I	J
D-20 GOLD	2.552	2.446	900	750	2.110	980	1.112	140	746	686
D-26 GOLD	3.202	3.096	900	750	2.760	980	1.112	140	746	686
D-33 GOLD	3.852	3.746	900	750	3.410	980	1.112	140	746	686