

## FEATURES

### MAN / MAN-C

- Fully automatic cycle by electronic card
- Steaming and drying time controlled by 3 timers.
- 9 different cycles available
- Adjustable shoulder and sleeve widths
- Rotation of dummy support at 360°
- Does not require compressed air

### MAN (WITHOUT BOILER)

- Without steam boiler, to be connected to a central steam supply
- It needs a steam inlet and outlet
- Can be installed with steam generator SB-24 - 12 kw
- Voltage 400 V III +N / 230 V III 50-60 Hz

### MAN-C (SELF-CONTAINED)

- Complete with built-in steam boiler 18 lt
- Automatic water feeding
- Automatic pressure control (4,5 bar)
- Voltage 400 V III +N / 230 V III 50-60 Hz.

### MAN-SHIRT

- For both water washed or dry cleaned shirts, anoraks or jackets
- Without boiler: to be connected to a central steam supply
- Can be installed with a steam generator SB-24 - 22 KW
- Two sleeve stretchers with double independent traction
- Front heated and reclining panel
- Automatic carriage with photocell for the stretching of side and back part
- Powerful 3 HP fan
- Button placket part of the dummy with suction
- Electronic card featuring nine programs for an automatic working cycle
- Pneumatically operated air flow regulation device
- Manually adjustable shoulder width
- Pneumatically adjustable height of dummy, air working pressure: 5-6 bar, air consumption: 20 NI/min
- Voltage 400V III+N / 230V III 50-60 Hz

### MAN-COAT

- Automatic tensioning finisher for classic coats, overcoats and similar garments
- Without boiler: to be connected to central steam supply
- Working cycle by electronic card with 9 stored finishing programs, very easy to modify
- Telescopic shape till 1.500 mm
- Special 350° revolving "body" form plus automatic "front & rear" paddle clamps
- Sensor for the "automatic research of the height" of the garment
- Double "antistretching" system in large (waist) and in height (length)
- Mechanical adjustable shoulder group and dedicated "collar" clamp
- Damper for air-volume regulation
- To be connected to compressed air supply, air working pressure 5-6 bar, air consumption 8/9 NI/min.
- Can be installed with steam generator SB-24 - 22 kw
- Voltage : 400V III+N / 230V III 50-60 Hz

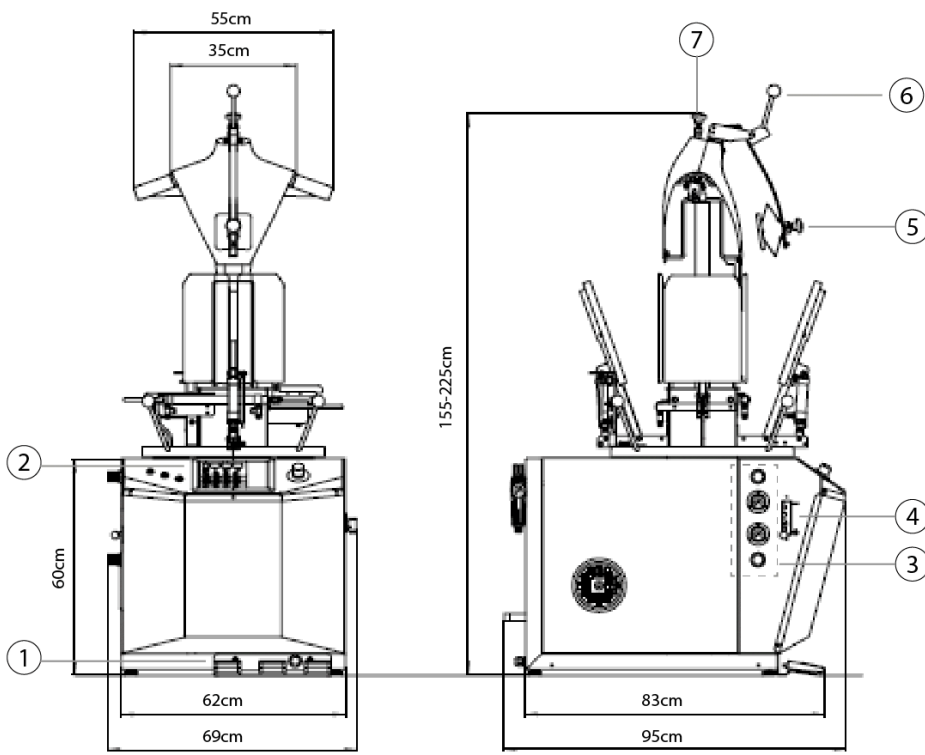


## OPTIONS

- Steam iron assembly

GENERAL DETAILS	UNIT.	MAN-COAT
Boiler	-	NO
Boiler capacity	L	-
Group of iron	-	OPT
Steam gun	-	-
POWER		
Pump motor	HP	-
Boiler heater	kW	-
Fan motor	kW	1,2
CONNECTIONS		
Ø Water inlet	BSP	-
Ø Boiler exhaust (mod. with boiler)	BSP	
Ø Steam inlet	BSP	1/2"
Ø Condensate outlet	BSP	1/2"
Steam pressure	bar	5
Steam consumption	Kg/h	15-20
Ø Air inlet	BSP	1/4"
Ø Air outlet	mm	1/4"
Air pressure	bar	6
Air Consumption	NI/min	8
DIMENSIONS / PACKING DIMENSIONS		
Net width / Gross width	mm	690 / 800
Net depth / Gross depth	mm	950 / 1.050
Net height / Gross height	mm	1550 -2250 / 1.850
Net weight / Gross weight	kg	160 / 180
Volume	m <sup>3</sup>	1,04-1,88 / 1,55
OTHERS		
Voltage	V	230/400V 3~ 50-60
Sound level	dB	70





1. Operating pedals
2. Control panel
3. Flap adjustment and garment tension control buttons
4. Blowing intensity adjustment
5. Collar press flap
6. Collar press flap opening and closing lever
7. Shoulder width adjustment knob

