

DD-28 BRONZE EM BRONZE dryers



ELECTRONIC CONTROL

Easy-to-use electronic control with push buttons to control temperature and time



FEATURES

Reversing drum action as standard
Stainless steel drum as standard
Frequency inverter as standard



EFFICIENCY

DOUBLE FLOW - mixed axial-radial airflow
Big fluff filter as drawer



VERSATILITY

Make to order - customisation
OPL > Multivending - Standard OPL model easily trasformable to coin laundry uses



ERGONOMICS

Drawer as fluff filter, stainless steel mesh
Big door diameters
Opening sense of door adjustable on site



MAINTENANCE

Hinged control panel: easy and ergonomic access
Technical menu: statistics, data recovery for after-sales service, software updates, etc.
Easy access to components



OTHERS

Grey skinplate outer casing, stainless steel look
NEW: transmission by gear motor on models DD-45 to 80
SOFT DRY - new drum with stamped holes
COOL DOWN - anti-wrinkle at the end of the cycle
Electric, gas or steam heating
CE approved



OPTIONS

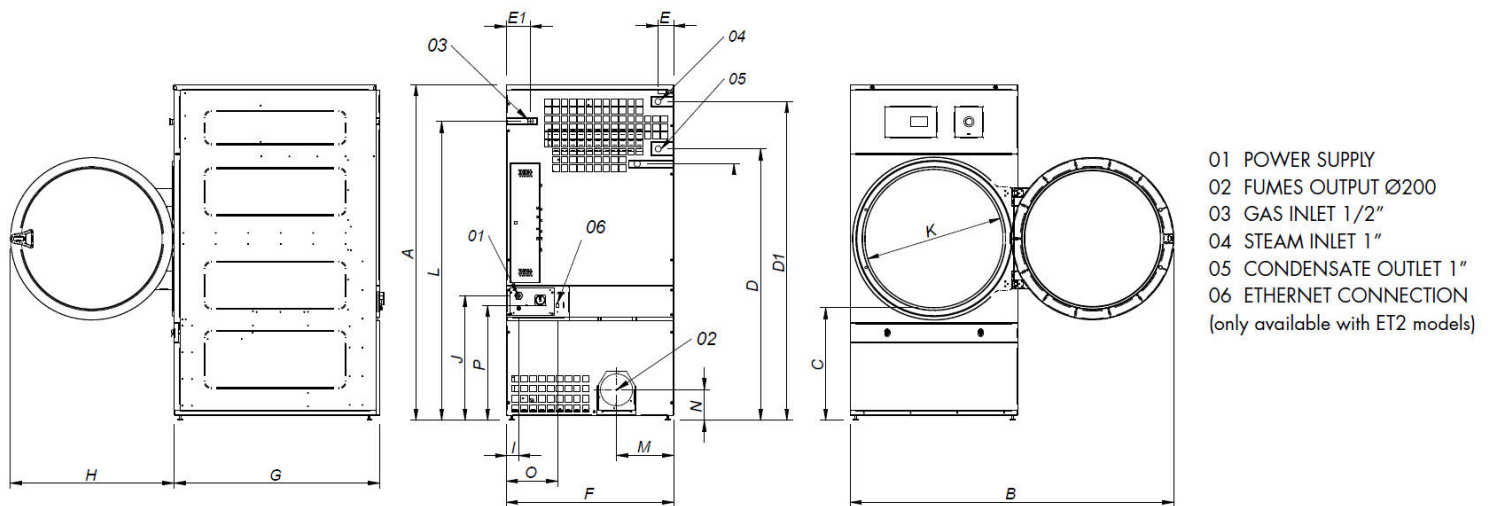
- DG Double doorglass DD-35-80
- NG Natural gas heated tumble dryer (LPG as standard)
- RD Opposite door opening 11-35
- BMS New display for EM programmer 11-35
- AF Back panel with air filter from 11 to 35
- F06 Fluff filter with grid 0,6mm (standard is 0,3mm)
- F12 Fluff filter with grid 1,2 mm (standard is 0,3 mm)
- SSC Stainless steel outer casing 28
- SSF Stainless steel front panel 28, 35
- BSS Stainless steel steam battery 28-35
- LPB Low steam pressure battery 28,35
- WB Wooden packing 28
- 400V 3N 60 Hz DD--11-35
- 230V 3~ 50 Hz DD-22-35 E
- 230V 3~ 60 Hz DD-22,35 E
- 230V 3~ 60 Hz DD-11,35 G/S
- 440/480V 3~ 60 Hz DD-22-35
- Several payment systems for self-service

CAPACITY & DRUM	UNIT.	DD-28 BRONZE EM
Capacity 1/18	Kg	30,6
	lb	67,3
Capacity 1/20	Kg	27,5
	lb	60,6
Ø Drum	mm	947
	inch	37,3
Drum length	mm	780
	inch	30,7
Drum volume	l	550
	cu ft	19,42
Ø Door hole	mm	802
	inch	31,6
Door center height	mm	1.040
	inch	40,9
Height from floor to bottom of door	mm	578
	inch	22,74
ELECTRIC HEATING		
Evaporation capacity	L/h	26,1
	US gallon/h	6,89
Hourly output	Kg/h	48,4
	lb/h	106,7
Installed heating power	kW	30
Installed electrical power	kW	31,15
Drum motor power	kW	0,55
GAS HEATING		
Evaporation capacity (gas model)	L/h	30,9
	US gallon/h	8,16
Hourly output (gas model)	Kg/h	59,30
	lb/h	130,73
Installed gas heating power	kcal/h	35254
	Btu/h	139899
Installed gas heating power	kW	41
Installed electrical power	kW	1,15
Instant propane gas consumption (G31)	Kg/h	3,51
	lb/h	7,74
Instant natural gas consumption (G20)	m ³ /h	4,34
	cfm	2,55
Ø Gas inlet	BSPP ISO 228-1	1/2"
STEAM HEATING		
Installed steam heating power	kW	50,10
	Btu/h	170948
Installed electrical power	kW	1,15
Steam consumption (8 barG) - Standard	kg/h	89
Steam consumption (116 psiG)	lb/h	107,2
Steam pressure	barG	6 - 9
	psiG	87 - 130,5
Standard steam inlet - outlet	BSPT- ISO7.1	1"
Steam inlet - condensate outlet	NPT ANSI B1.20.1 Tapered	1"
Steam consumption (5 barG) - Low Pressure	kg/h	93
Steam consumption (72,5 psiG) - Low Pressure	lb/h	112
Steam pressure (low pressure)	barG	3 - 6
	psiG	43,5 - 95
Low pressure steam inlet - outlet	BSPT- ISO7.1	1" 1/2
VENTILATION		
Fan motor power	kW	0,55
Nominal air flow rate	m ³ /h	1.200
	cfm	706



Ø Fume exhaust	mm	200	
	inch	7,87	
HEAT EMISSION			
Maximum total heat emission	kW	3	
	Btu/h	10242	
Max. front heat emission	kW	2,1	
	Btu/h	7170	
CONNECTIONS			
Tension 230V - I + N + T	Nº x mm² / A	E	G / S
Tension 230V - III + T	Nº x mm² / A	-	3 x 1,5 / 16A
Tension 400V - III + N + T	Nº x mm² / A	4 x 35 / 100A	3 x 1,5 / 16A
Tension 400V - III + N + T	Nº x mm² / A	5 x 16 / 63A	3 x 1,5 / 16A
NET DIMENSIONS / PACKING DIMENSIONS			
Net / gross width	mm	985 / 1.065	
	inch	38,8 / 41,9	
Net / gross depth	mm	1.054 / 1.154	
	inch	41,5 / 45,4	
Net height / gross height (* without heating)	mm	1.975 / 2.080	
	inch	77,8 / 81,9	
Net / gross weight	Kg	230 / 260	
	lb	507 / 573	
OTHERS			
Sound level	dB	65	

* Sizes Gas or steam 45 kg model same as model 80 kg (incorporates the batteries at the back)



	A	B	C	D	D1	E	E1	F	G	H	I	J	K	L	M	N	O	P
DD-28	1975*	1910	660	1590	1875	102	130	985	1054	970	70	730	802	1760	337	178	301	676
DD-35	1975*	1910	660	1590	1875	102	130	985	1210	970	70	730	802	1760	337	178	301	676

* Measurement with legs mounted (30mm)

