

DD-60 SILVER ET2 SILVER dryers



EASY TOUCH 2

User friendly and totally programmable 7" ET2
USB Connection.
Online platform free of charge for programming, telemetry, data analysis
Videos on display (ads, instructions, etc.)
37 languages



FEATURES

Reversing drum action as standard
Stainless steel drum as standard
Frequency inverter as standard



EFFICIENCY

DOUBLE FLOW - mixed axial-radial airflow
Big fluff filter as drawer



VERSATILITY

Make to order - customisation
WET CLEANING
OPL > Multivending - Standard OPL model easily trasformable to coin laundry uses



CONNECTIVITY

Danube Online communication - IoT as standard
Remote technical service
Management of laundries: OPL and COIN



ERGONOMICS

Drawer as fluff filter, stainless steel mesh
Big door diameters
Opening sense of door adjustable on site



MAINTENANCE

Hinged control panel: easy and ergonomic access
Technical menu: statistics, data recovery for after-sales service, software updates, etc.
Easy access to components



OTHERS

Grey skinplate outer casing, stainless steel look
NEW: transmission by gear motor on models DD-45 to 80
SOFT DRY - new drum with stamped holes
COOL DOWN - anti-wrinkle at the end of the cycle
Electric, gas or steam heating
CE approved



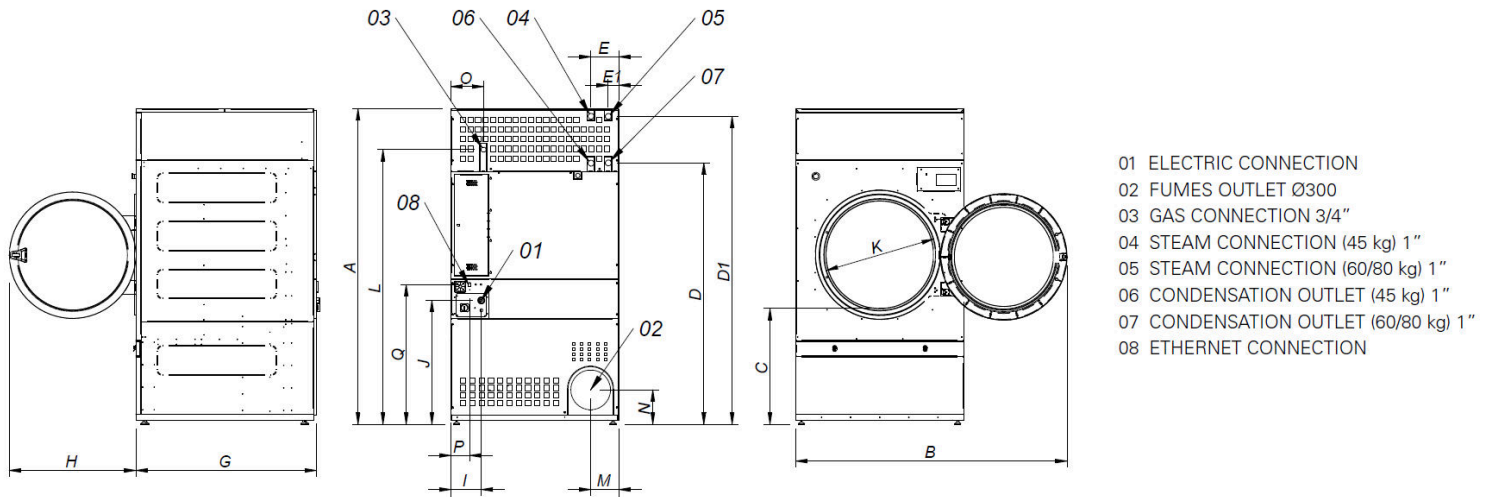
OPTIONS

- IoT licence - Danube Online
- GA Automatic sliding door 45 to 80 models (with double door glass)
- GM Manual sliding door 45 to 80 models (not available with double door glass)
- NG Natural gas heated tumble dryer (LPG as standard)
- TS frontal tilting kit for models 45 to 80
- IMC CARE DRY Humidity sensor
- DG Double doorglass DD-35-80
- AF Back panel with air filter from 45 to 80
- FEX Sprinkler fire extinguisher 60,80
- RD Opposite door opening 45-80
- TR Tropicalized model (ET2)
- DS Perfumes dosing / spraying
- F06 Fluff filter with grid 0,6mm (standard is 0,3mm)
- F12 Fluff filter with grid 1,2 mm (standard is 0,3 mm)
- SSC Stainless steel outer casing 60
- SSF Stainless steel front panel 45, 60, 80
- LPB Low steam pressure battery 45,60,80
- WB Wooden packing 60
- 400V 3N 60 Hz DD-45-80 E/S
- 400V 3N 60 Hz DD-45-80 G
- 230V 3~ 50 Hz DD-45-80 G/S
- 440/480V 3~ 60 Hz DD-45-60-80
- 230V 3~ 60 Hz DD-45,80 S
- 230V 3~ 60 Hz DD-45,80 G
- 400V 3~ 50 Hz DD-60-80

CAPACITY & DRUM	UNIT.	DD-60 SILVER ET2
Capacity 1/18	Kg	66,7
	lb	146,9
Capacity 1/20	Kg	60
	lb	132,3
Ø Drum	mm	1.225
	inch	48,23
Drum length	mm	1.020
	inch	40,16
Drum volume	l	1.200
	cu ft	42,37
Ø Door hole	mm	802
	inch	31,57
Door center height	mm	1.275
	inch	50,20
Height from floor to bottom of door	mm	813
	inch	31,99
ELECTRIC HEATING		
Evaporation capacity	L/h	60,2
	US gallon/h	15,9
Hourly output	Kg/h	120
	lb/h	264,6
Installed heating power	kW	72
Installed electrical power	kW	74,25
Drum motor power	kW	1,10
GAS HEATING		
Evaporation capacity (gas model)	L/h	72
	US gallon/h	17,383
Hourly output (gas model)	Kg/h	128,6
	lb/h	283,5
Installed gas heating power	kcal/h	77386
	Btu/h	307092,7
Installed gas heating power	kW	90
Installed electrical power	kW	2,25
Instant propane gas consumption (G31)	Kg/h	7,71
	lb/h	17
Instant natural gas consumption (G20)	m ³ /h	9,53
	cfm	5,61
Ø Gas inlet	BSPP ISO 228-1	3/4"
STEAM HEATING		
Installed steam heating power	kW	128
	Btu/h	436754
Installed electrical power	kW	2,25
Steam consumption (8 barG) - Standard	kg/h	171
Steam consumption (116 psiG)	lb/h	206
Steam pressure	barG	7 - 12
	psiG	101,5 - 177
Standard steam inlet - outlet	BSPT- ISO7.1	1"
Steam inlet - condensate outlet	NPT ANSI B1.20.1 Tapered	1"
Steam consumption (5 barG) - Low Pressure	kg/h	147
Steam consumption (72,5 psiG) - Low Pressure	lb/h	177,1
Steam pressure (low pressure)	barG	4 - 7
	psiG	58 - 101,5
Low pressure steam inlet - outlet	BSPT- ISO7.1	1" 1/2
VENTILATION		
Fan motor power	kW	1,1
Nominal air flow rate	m ³ /h	3.000
	cfm	1765,73



Ø Fume exhaust	mm	300	
	inch	11,81	
HEAT EMISSION			
Maximum total heat emission	kW	6,48	
	Btu/h	22123,6	
Max. front heat emission	kW	2,88	
	Btu/h	9832,7	
CONNECTIONS			
Tension 230V - I + N + T	Nº x mm² / A	-	-
Tension 230V - III + T	Nº x mm² / A	-	4 x 2,5 / 25A
Tension 400V - III + N + T	Nº x mm² / A	5 x 50 / 125A	5 x 2,5 / 25A
NET DIMENSIONS / PACKING DIMENSIONS			
Net / gross width	mm	1.270 / 1.330	
	inch	50 / 52,36	
Net / gross depth	mm	1.366 / 1.455	
	inch	53,78 / 57,28	
Net height / gross height (* without heating)	mm	2.380 /*2.200	
	inch	93,70 /*86,61	
Net / gross weight	Kg	529 / 575	
	lb	1.166,25 / 1.267,66	
OTHERS			
Sound level	dB	67	



- 01 ELECTRIC CONNECTION
- 02 FUMES OUTLET Ø300
- 03 GAS CONNECTION 3/4"
- 04 STEAM CONNECTION (45 kg) 1"
- 05 STEAM CONNECTION (60/80 kg) 1"
- 06 CONDENSATION OUTLET (45 kg) 1"
- 07 CONDENSATION OUTLET (60/80 kg) 1"
- 08 ETHERNET CONNECTION

	A	B	C	D	D1	E	E1	F	G	H	I	J	K	L	M	N	O	P	Q
DD-45	2380*	2045	874	1981	2311	211	80	1270	1106	956	248	935	802	2088	214	240	244	160	1053
DD-60	2380*	2045	874	1981	2311	211	80	1270	1366	956	248	935	802	2088	214	240	244	160	1053
DD-80	2380*	2045	874	1981	2311	211	80	1270	1598	956	248	935	802	2088	214	240	244	160	1053

* Measurement with legs mounted (30mm)

