

DD-35 GOLD ET2 GOLD dryers



EASY TOUCH 2

User friendly and totally programmable 7" ET2
USB Connection.
Online platform free of charge for programming, telemetry, data analysis
Videos on display (ads, instructions, etc.)
37 languages



FEATURES

Reversing drum action as standard
Stainless steel drum as standard
Frequency inverter as standard



EFFICIENCY

CARE DRY - Intelligent humidity control with new drum inlet temperature control.
AIR RE-CYCLE - Efficient air recirculation system
INSULATED PANELS - Complete thermal insulation of panels and double door glass
OPTIMAL FLOW - New optimized system of mixed airflow
Big fluff filter



VERSATILITY

Make to order - customisation
WET CLEANING



CONNECTIVITY

Danube Online communication - IoT as standard
Remote technical service
Management of laundries



ERGONOMICS

Drawer as fluff filter, stainless steel mesh
Big door diameters
Opening sense of door adjustable on site



MAINTENANCE

Hinged control panel: easy and ergonomic access
Technical menu: statistics, data recovery for after-sales service, software updates, etc.
Easy access to components



OTHERS

Grey skinplate outer casing, stainless steel look
NEW : transmission by gear motor on models DD-45 to 80
SPRINKLER - Integrated Fire Extinguishing System
SOFT DRY - new drum with stamped holes
COOL DOWN - anti-wrinkle at the end of the cycle
Electric, gas or steam heating
CE approved



OPTIONS

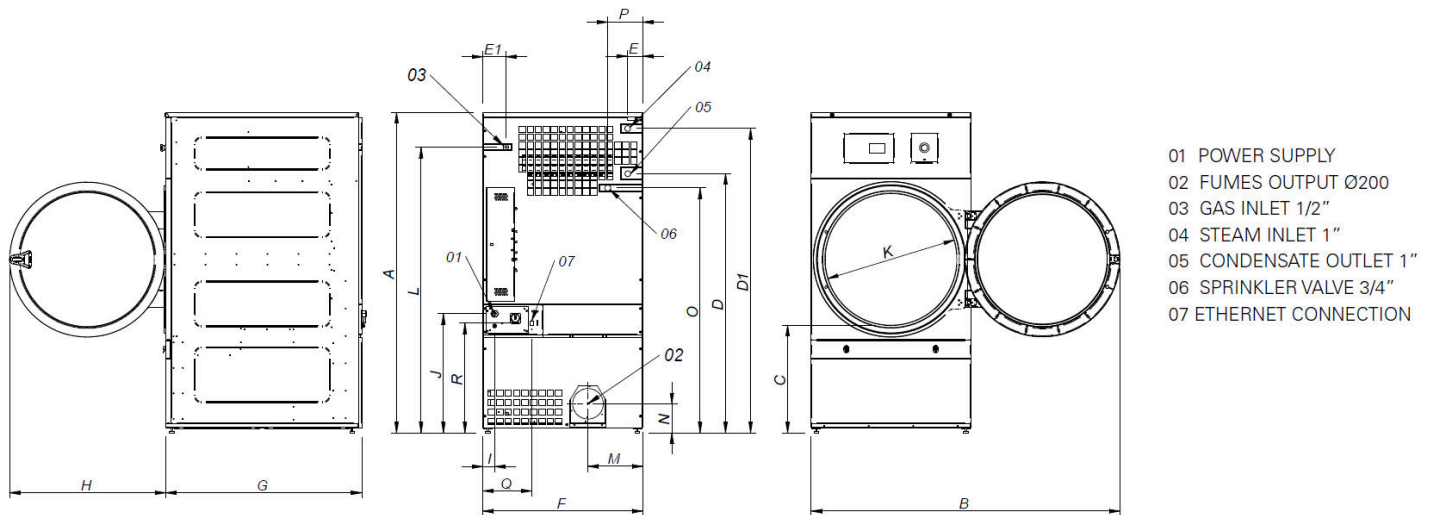
- NG Natural gas heated tumble dryer (LPG as standard)
- RD Opposite door opening 11-35
- TR Tropicalized model (ET2)
- DS Perfume dosing / spraying
- AF Back panel with air filter from 11 to 35
- F06 Fluff filter with grid 0,6mm (standard is 0,3mm)
- F12 Fluff filter with grid 1,2mm (standard is 0,3mm)
- Reinforced drum for heavy-duty use 28-35
- SSC Stainless steel outer casing (AISI-304) 35
- SSF Stainless steel front panel (AISI-304) 28, 35
- BSS Stainless steel steam battery 28-35
- LPB Low steam pressure battery 28,35
- 400V 3N 60 Hz DD- 11-35
- 230V 3~ 60 Hz DD-11,35 G/S
- 440/480V 3~ 60 Hz DD-22-35
- WB Wooden packing 35
- IoT licence - Danube Online

CAPACITY & DRUM		UNIT.	DD-35 GOLD ET2
Capacity 1/18		Kg	36,7
		lb	80,8
Capacity 1/20		Kg	33
		lb	80
Ø Drum		mm	947
		inch	37,3
Drum length		mm	936
		inch	36,9
Drum volume		l	660
		cu ft	23,30
Ø Door hole		mm	802
		inch	31,6
Door center height		mm	1.040
		inch	40,9
Height from floor to bottom of door		mm	578
		inch	22,74
ELECTRIC HEATING			
Evaporation capacity		L/h	31,50
		US gallon/h	8,32
Hourly output		Kg/h	63,90
		lb/h	140,87
Installed heating power		kW	36
Installed electrical power		kW	37,35
Drum motor power		kW	0,55
GAS HEATING			
Evaporation capacity (gas model)		L/h	34,70
		US gallon/h	9,17
Hourly output (gas model)		Kg/h	73,30
		lb/h	161,60
Installed gas heating power		kcal/h	35254
		Btu/h	139899
Installed gas heating power		kW	41
Installed electrical power		kW	1,35
Instant propane gas consumption (G31)		Kg/h	3,51
		lb/h	7,74
Instant natural gas consumption (G20)		m ³ /h	4,34
		cfm	2,55
Ø Gas inlet		BSPP ISO 228-1	1/2"
STEAM HEATING			
Installed steam heating power		kW	50,10
		Btu/h	170948
Installed electrical power		kW	1,35
Steam consumption (8 barG) - Standard		kg/h	89
Steam consumption (116 psiG)		lb/h	107,2
Steam pressure		barG	6 - 9
		psiG	87 - 130,5
Standard steam inlet - outlet		BSPT- ISO7.1	1"
Standard steam inlet - condensate outlet		NPT ANSI B1.20.1 Tapered	1"
Steam consumption (5 barG) - Low Pressure		kg/h	93
Steam consumption (72,5 psiG) - Low Pressure		lb/h	112
Steam pressure (low pressure)		barG	3 - 6
		psiG	43,5 - 88
Low pressure steam inlet - outlet		BSPT- ISO7.1	1" 1/2
VENTILATION			
Fan motor power		kW	0,75
Nominal air flow rate		m ³ /h	1.500
		cfm	883



Ø Fume exhaust	mm	200	
Ø Fume exhaust	inch	7,87	
HEAT EMISSION			
Maximum total heat emission	kW	2,9	
	Btu/h	9833	
Max. front heat emission	kW	1,8	
	Btu/h	6145	
CONNECTIONS			
Tension 230V - I + N + T	Nº x mm² / A	-	E G / S
Tension 230V - III + T	Nº x mm² / A	4 x 50 / 125A	3 x 1,5 / 16A
Tension 400V - III + N + T	Nº x mm² / A	5 x 16 / 63A	3 x 1,5 / 16A
NET DIMENSIONS / PACKING DIMENSIONS			
Net / gross width	mm	985 / 1.065	
	inch	38,8 / 41,9	
Net / gross depth	mm	1.210 / 1.310	
	inch	47,6 / 51,6	
Net height / gross height	mm	1.975 / 2.080	
	inch	77,8 / 81,9	
Net / gross weight	Kg	260 / 285	
	lb	573 / 628	
OTHERS			
Sound level	dB	65	

* Sizes Gas or steam 45 kg model same as model 80 kg (incorporates the batteries at the back)



	A	B	C	D	D1	E	E1	F	G	H	I	J	K	L	M	N	O	P	Q	R
DD-28	1975*	1910	660	1590	1875	102	130	985	1054	970	70	730	802	1760	337	178	1510	215	301	676
DD-35	1975*	1910	660	1590	1875	102	130	985	1210	970	70	730	802	1760	337	178	1510	215	301	676

* Measurement with legs mounted (30mm)

