

FEATURES

TWO MODELS:

UNIVERSAL BUCKS: P-UB

BUCKS FOR COLLAR AND CUFF: P-CPB

- Up steaming lower buck on both models.
- Lowering of the upper buck controlled by two push buttons.
- Available with or without built-in boiler.
- Available with or without built-in air compressor.
- All models equipped with a vacuum unit.
- ready to be connected to central steam and air supply.
- Air working pressure: 6-7 bar
- Steam working pressure: 4-5 bar
- Connection: 230/400V III 50-60Hz

UB MODEL

- Utility buck, up-steaming lower buck and upper buck, optional polished upper buck.
- Board dimensions : 1.170 x 360 x 220 mm

CPB MODEL

- Collar & Cuffs bucks, up-steaming lower buck.
- Polished upper buck.



OPTIONS

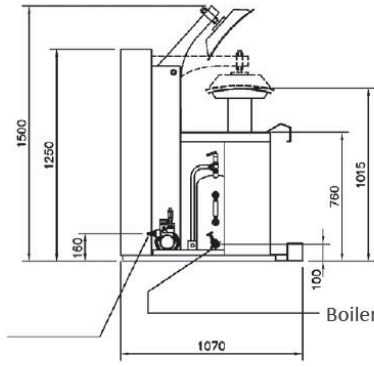
- Steam iron assembly
- Spray gun for steam

GENERAL DETAILS	UNIT.	P-CPB	
		AVEC CHAUDIERE	SANS CHAUDIERE
Board dimensions	mm	940 x 160	940 x 160
Boiler	-	16	-
Boiler capacity	l	Opt	Opt
Compressor	-	Opt	Opt
Group of Iron	-	Opt	Opt
Steam gun	-	Opt	Opt
Polished upper buck	-	Opt	Opt
POWER			
Vacuum Motor	HP	0,6	0,6
Pump Motor	HP	0,75	-
Boiler Heater	kW	2	-
Fan motor	kW	12	-
CONNECTIONS			
Ø Water inlet	BSP	3/8"	-
Ø Boiler exhaust (mod. with boiler)	BSP	1/2"	-
Ø Steam inlet	BSP	-	1/2"
Ø Condensate outlet	BSP	-	1/2"
Steam pressure	BAR	4-5	4-5
Steam Consumption	Kg/h	12-20	12-20
Ø Air inlet	BSP	-	3/8"
Air pressure	BSP	6-7	6-7
Air Consumption	NI/min	40	40
OVERALL DIMENSIONS / PACKING DIMENSIONS			
Net width / Gross width	mm	1.370 / 1.440	1.370 / 1.440
Net depth / Gross depth	mm	1.080 / 1.110	1.080 / 1.110
Net height / Gross height	mm	1.250 / 1.410	1.250 / 1.410
Net weight / Gross weight	kg	292 / 342	237 / 287
Volume	m3	1,84 / 2,25	1,84 / 2,25
OTHERS			
Voltage	Hz	230/400V III	230/400V III
Sound level	dB	70	70

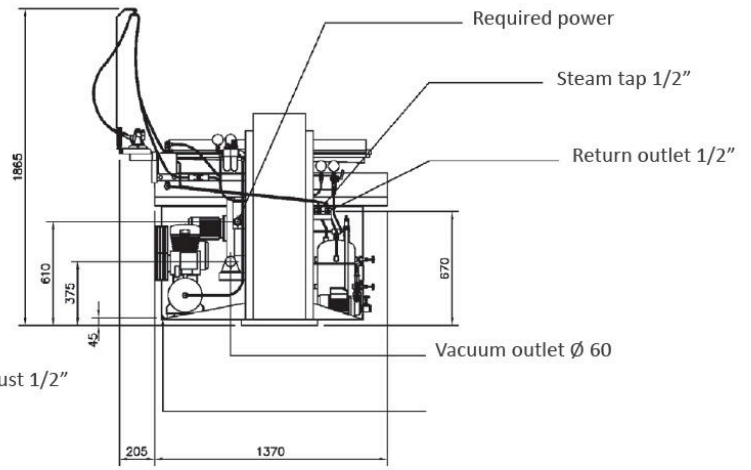


UB / CPB
WITH BOILER (self-contained)

Water inlet $\varnothing 12$

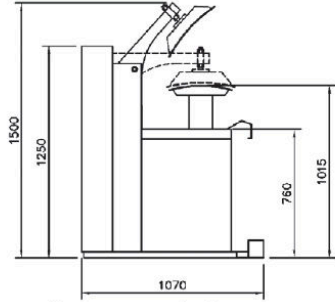


Boiler exhaust 1/2"



UB / CPB
WITHOUT BOILER

Connection to central vacuum supply $\varnothing 60$



Air inlet 3/8"

