

# STD-11 SILVER XP ET2 STD SILVER XP stack dryers

## EASY TOUCH 2

7" touch screen user friendly and programmable ET2  
USB Connection. Online platform free of charge  
for programming, telemetry, data analysis  
Videos on display (ads, instructions, etc.)  
37 languages

## FEATURES

Reversing drum action as standard  
Stainless steel drum as standard  
Frequency inverter as standard

## EFFICIENCY

**DOUBLE FLOW** - mixed axial-radial airflow  
Big fluff filter

## VERSATILITY

Make to order - customisation  
**WET CLEANING**  
OPL > Multivending - Standard OPL model easily trasformable  
to coin laundry uses

## CONNECTIVITY

**Danube Online communication - IoT standard**  
Remote technical service  
Management of laundries: OPL and COIN

## ERGONOMICS

Drawer as fluff filter, stainless steel mesh  
Big door diameters

## MAINTENANCE

Hinged control panel: easy and ergonomic access  
Technical menu: statistics, data recovery for after-sales  
service, software updates, etc.  
Easy access to components

## OTHERS

Grey skinplate outer casing, stainless steel look  
**SOFT DRY** - new drum with stamped holes  
**COOL DOWN** - anti-wrinkle at the end of the cycle  
Electric or gas heating (except STD-22 XP model: only gas)  
CE approved



## OPTIONS

- IMC CARE DRY Humidity sensor STD (1 unit per stack)
- DG Double door glass STD (1 unit per stack)
- FEX Sprinkler fire extinguisher STD (1 unit per stack)
- NG Natural gas heated tumble dryer (LPG as standard)
- TR Tropicalized model (ET2) (1 unit per stack)
- RD Opposite door opening STD (1 unit per stack)
- AF Back panel with air filter (STD)
- F03 Fluff filter with grid 0,3 mm (standard is 0,6 mm STD)
- 400V 3~ 50 Hz STD-11-18
- 400V 3N 60 Hz STD-11-35
- SSC Stainless steel outer casing (AISI-304) 11 STD
- 400V 3~60Hz STD-11-22
- 230V 3~ 60 Hz STD-11-18 G
- 230V 3~ 60 Hz STD-11-18 E
- 440V/480V 3~ 60 Hz STD-11-22
- SSF Stainless steel front panel AISI-304 STD 11-18
- WB Wooden packing STD-11
- IoT licence - Danube Online
- Several payment systems for self-service

CAPACITY & DRUM		UNIT.	STD-11 SILVER XP ET2	
Capacity 1/18		Kg	11,7 x 2	
		lb	25,8 x 2	
Capacity 1/20		Kg	10,5 x 2	
		lb	23,1 x 2	
Ø Drum		mm	750	
		inch	29,5	
Drum length		mm	475	
		inch	18,70	
Drum volume		l	210	
		cu ft	7,41	
Ø Door hole		mm	574	
		inch	22,6	
Door center height		mm	547 / 1522	
		inch	21,54 / 59,92	
Height from floor to bottom of door		mm	189 / 1164	
		inch	7,32 / 45,83	
ELECTRIC HEATING				
Evaporation capacity *		L/h *	13,5 x 2	
		US gallon/h *	3,56 x 2	
Hourly output**		Kg/h **	27 x 2	
		lb/h **	59,5 x 2	
Installed heating power		kW	12 x 2	
Installed electrical power		kW	25,34	
Drum motor power		kW	0,37 x 2	
GAS HEATING				
Evaporation capacity*		L/h	15,4 x 2	
		US gallon/h	4,05 x 2	
Hourly output **		Kg/h	30,8 x 2	
		lb/h	67,7 x 2	
Installed gas heating power		kcal/h	17627 x 2	
		Btu/h	69996 x 2	
		kW	20,5 x 2	
Installed electrical power		kW	1,34	
Instant LPG gas consumption (G31)		Kg/h	1,76 x 2	
		lb/h	3,88 x 2	
Instant natural gas consumption (G20)		m³/h	2,17 x 2	
		cfm	1,28 x 2	
Ø Gas inlet		BSPP ISO 228-1	3/4"	
VENTILATION				
Fan motor power		kW	0,25 x 2	
Nominal air flow rate		m³/h	500 x 2	
		cfm	294,28 x 2	
Ø Fume exhaust		mm	200	
		inch	7,87	
HEAT EMISSION				
Maximum total heat emission		kW	3,3	
		Btu/h	11198	
Max. front heat emission		kW	1,2	
		Btu/h	4199	
CONNECTIONS			E	G
Tension 230V - I + N + T		Nº x mm² / A	-	3 x 2,5 / 16A
Tension 230V - III + T		Nº x mm² / A	4 x 25 / 80A	3 x 2.5 / 16A (5*)
Tension 400V - III + N + T		Nº x mm² / A	5 x 16 / 50A	3 x 2.5 / 16A (6*)
NET DIMENSIONS / PACKING DIMENSIONS				
Net / gross width		mm	785 / 865	
		inch	30,9 / 34,1	



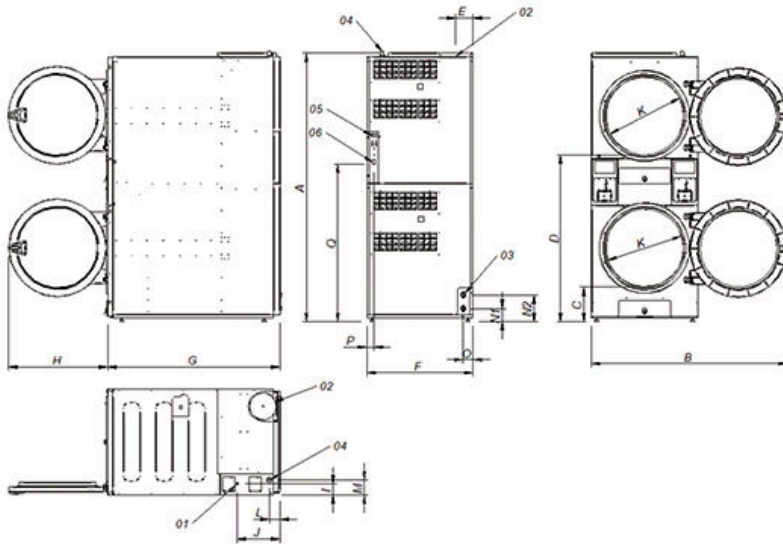
Net / gross depth	mm	1001 / 1084
	inch	39,4 / 42,7
Net / gross height	mm	1994 / 2126
	inch	78,5 / 83,7
Net / gross weight	Kg	284 / 295
	lb	626 / 650
<b>OTHERS</b>		
Max. sound level (1 m in front)	dB	64

\* Drying conditions: full load (1/20) of towels, drying temperature 90°C.

\*\* Kg dry linen per hour, according to the above drying conditions.

(5\*) Connect 2 phases and earth

(6\*) Connect phase, neutral and earth



- 01. Power supply
- 02. Fumes extraction  $\varnothing$  200 mm
- 03. 2 sprinkler valves 3/4"
- 04. Gas inlet 1/2"
- 05. Ethernet connection (ET2 model only)
- 06. ON/OFF control switch

		A	B	C	D	E	F	G	H	I	J	K	L	M	N1	N2	O	P	Q
<b>STD-11 XP</b>	mm	1980	1447	259	1234	131	785	1001	735	83	318	575	77	113	97	197	73	54	1163
<b>STD-14 XP</b>	mm	1980	1447	259	1234	131	785	1135	735	83	318	575	77	113	97	197	73	54	1163
<b>STD-18 XP</b>	mm	1980	1447	259	1234	131	785	1271	735	83	318	575	77	113	97	197	73	54	1163

